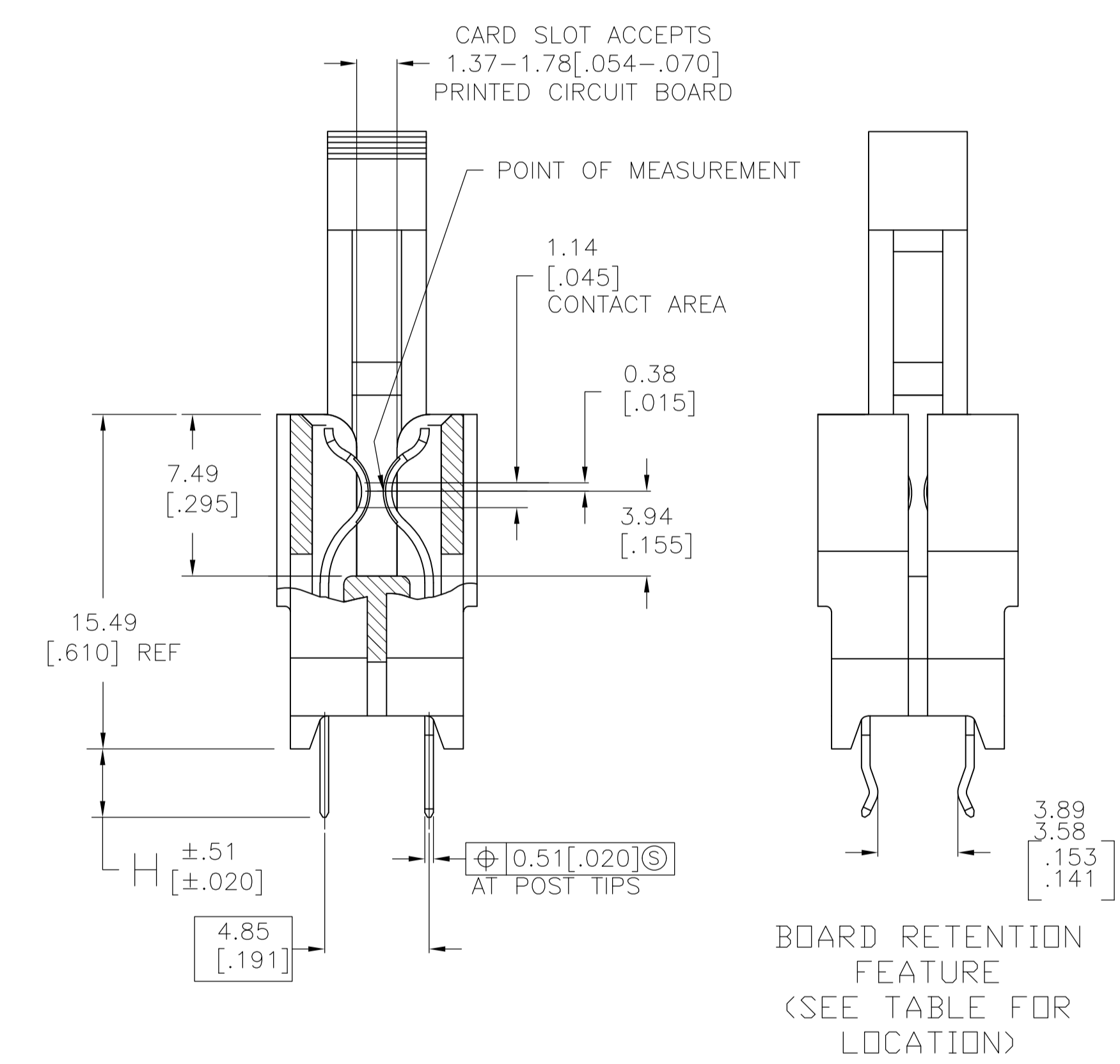


- MATERIAL:
HOUSING: GLASS FILLED POLYESTER; COLOR: BLACK.
CONTACT: HIGH CONDUCTIVITY COPPER ALLOY
LATCH: GLASS FILLED POLYESTER, COLOR: (SEE TABLE)
- FINISH:
0.00038[.000015] GOLD PLATE IN CONTACT AREA,
0.00254[.000100] MIN MATTE TIN ON SOLDER POSTS, ALL
OVER 0.00127[.000050] MIN NICKEL
- FINISH:
0.00076[.000030] GOLD PLATE IN CONTACT AREA,
0.00254[.000100] MIN MATTE TIN ON SOLDER POSTS, ALL
OVER 0.00127[.000050] MIN NICKEL
- AMP LOGO, TE PART NUMBER, DATE CODE AND CSA LOGO INK
STAMPED WHITE (HOT STAMPED OR LAZER PRINTED) IN THE APPROXIMATE
AREA SHOWN, EITHER SIDE PERMISSABLE, WHEN HOUSING SIZE PERMITS
- DATUMS AND BASIC DIMENSIONS ESTABLISHED BY CUSTOMER
- CONNECTORS SHOWN ARE USED IN APPLICATIONS WITH VRM MODULES WEIGHING
3 OUNCES OR LESS. ALTERNATE CONNECTOR AND LATCH METHOD IS AVAILABLE FOR
VRM MODULES WEIGHING UP TO 6 OUNCES.
- CAUTION:** LATCHES ARE INTENDED FOR RETENTION OF PC BOARD TO CONNECTOR.
DO NOT ATTEMPT TO FULLY EJECT PC BOARD FROM CONNECTOR WHILE DISENGAGING
LATCHES. DAMAGE TO LATCHES AND OR CONNECTOR MAY OCCUR
- OBSOLETE PARTS: OBSOLETE CIS STREAMLINING PER D.RENAUD/D.SINISI



Ⓜ PART IN SHEET 2

OBsolete 8

FINISH	LATCH COLOR	H	G	F	E	D	C	B	A	RETENTION LOCATION	MOLDED-IN KEYING FEATURE	OMITTED PIN	VRM TYPE	NO OF DUAL POSN	PART NUMBER	
WHITE	BLACK	4.70 [.185]	11	3	31.57 [1.243]	29.22 [1.150]	18	11.25 [.443]	8.89 [.350]	2,3, 29,30, 33,34, 60,61	NONE	NONE	6	31	6489930-8	
WHITE	BLACK	4.75 [.187]	-	-	-	-	-	-	-	2,3, 29,30, 33,34, 60,61	NONE	NONE	6	31	6489930-7	
WHITE	BLACK	3.18 [.125]	9	-	26.49 [1.043]	24.13 [.950]	20	-	-	2,3, 29,30, 33,34, 60,61	NONE	NONE	10, 11	57	31	6489930-6
WHITE	BLACK	3.18 [.125]	-	-	-	-	-	-	-	2,3, 29,30, 33,34, 60,61	NONE	NONE	10, 11	57	31	6489930-5
WHITE	BLACK	3.18 [.125]	8	2	23.95 [.943]	21.59 [.850]	21	8.71 [.343]	6.35 [.250]	2,3, 29,30, 33,34, 60,61	NONE	NONE	3,4 & 9,10	57	31	6489930-4
BLACK	BLACK	3.18 [.125]	9	-	26.49 [1.043]	24.13 [.950]	20	-	-	2,3, 29,30, 33,34, 60,61	NONE	NONE	10,11	57	31	6489930-3
BLACK	BLACK	3.18 [.125]	9	4	26.49 [1.043]	24.13 [.950]	20	13.79 [.543]	11.43 [.450]	2,3, 29,30, 33,34, 60,61	NONE	NONE	5,6 & 10,11	57	31	6489930-2
BLACK	BLACK	3.18 [.125]	9	4	26.49 [1.043]	24.13 [.950]	20	13.79 [.543]	11.43 [.450]	2,3, 29,30, 33,34, 60,61	NONE	NONE	5,6 & 10,11	57	31	6489930-1

THIS DRAWING IS A CONTROLLED DOCUMENT.

AWF/L.A.MAYER 02APR2008
A.W.FRANTUM 02APR2008
S.FLICKINGER 02APR2008

TE Connectivity

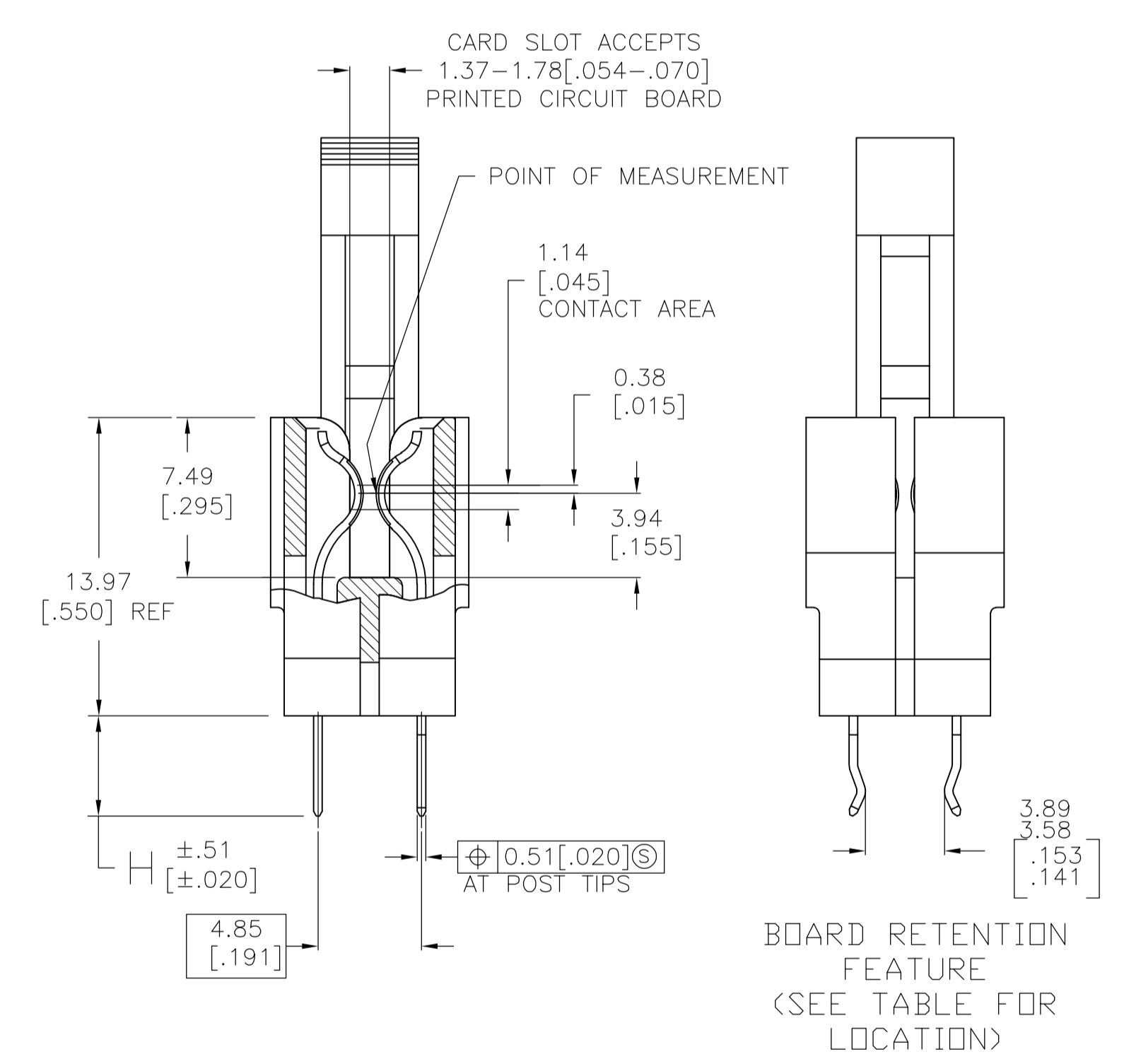
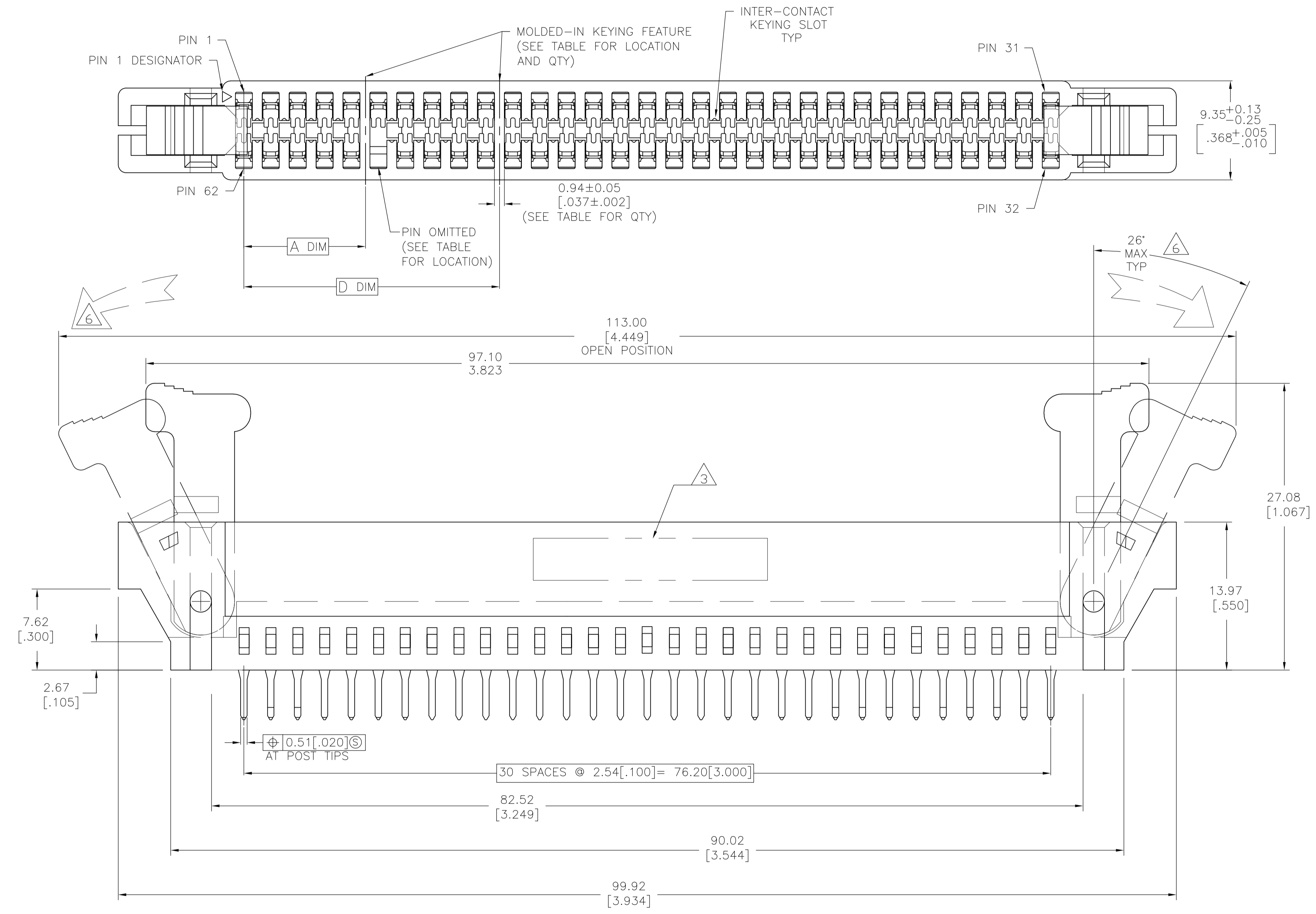
CONNECTOR ASSEMBLY
HIGH CURRENT CARD EDGE
DUAL POSITION, 2.54 [.100] CENTERLINE

108-2148

114-13018

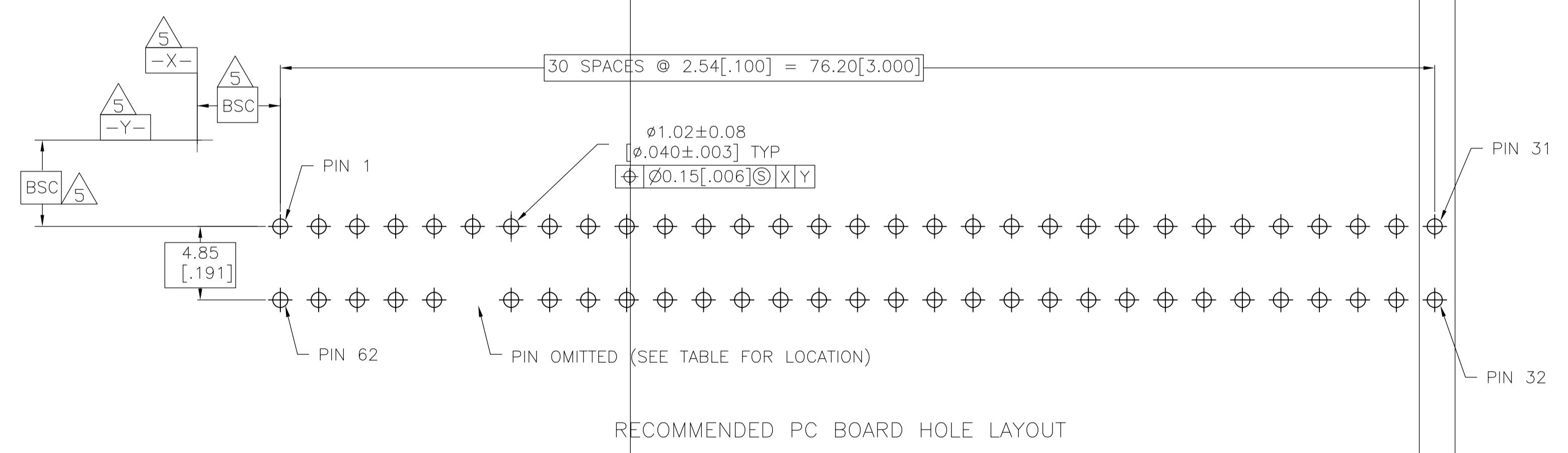
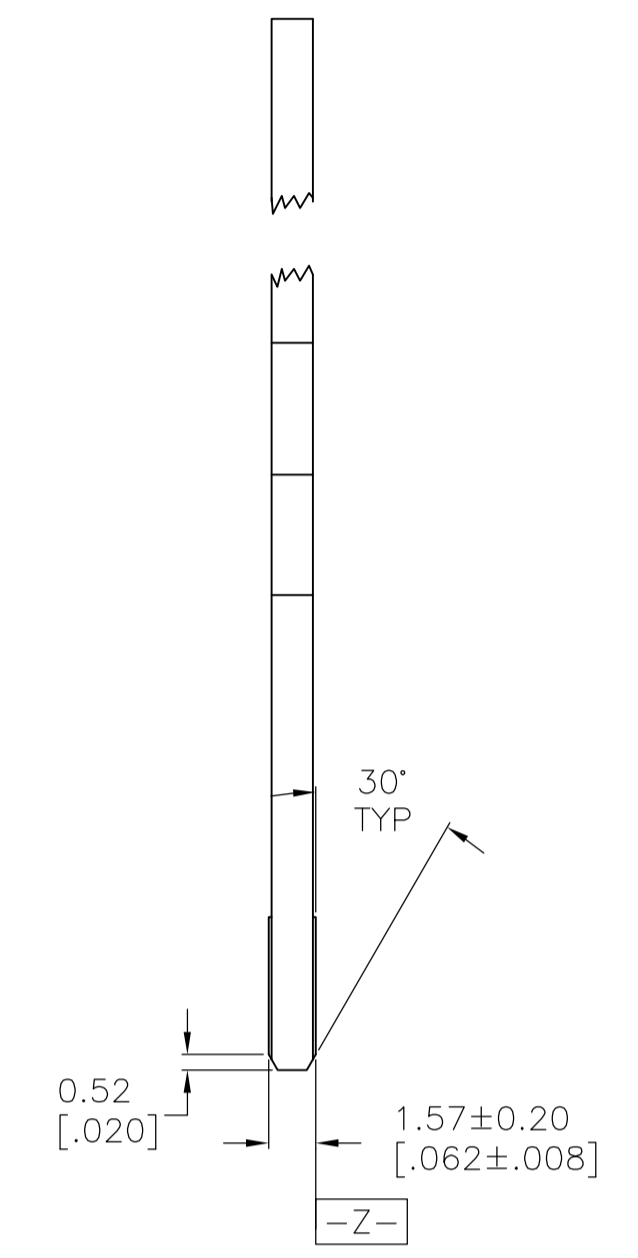
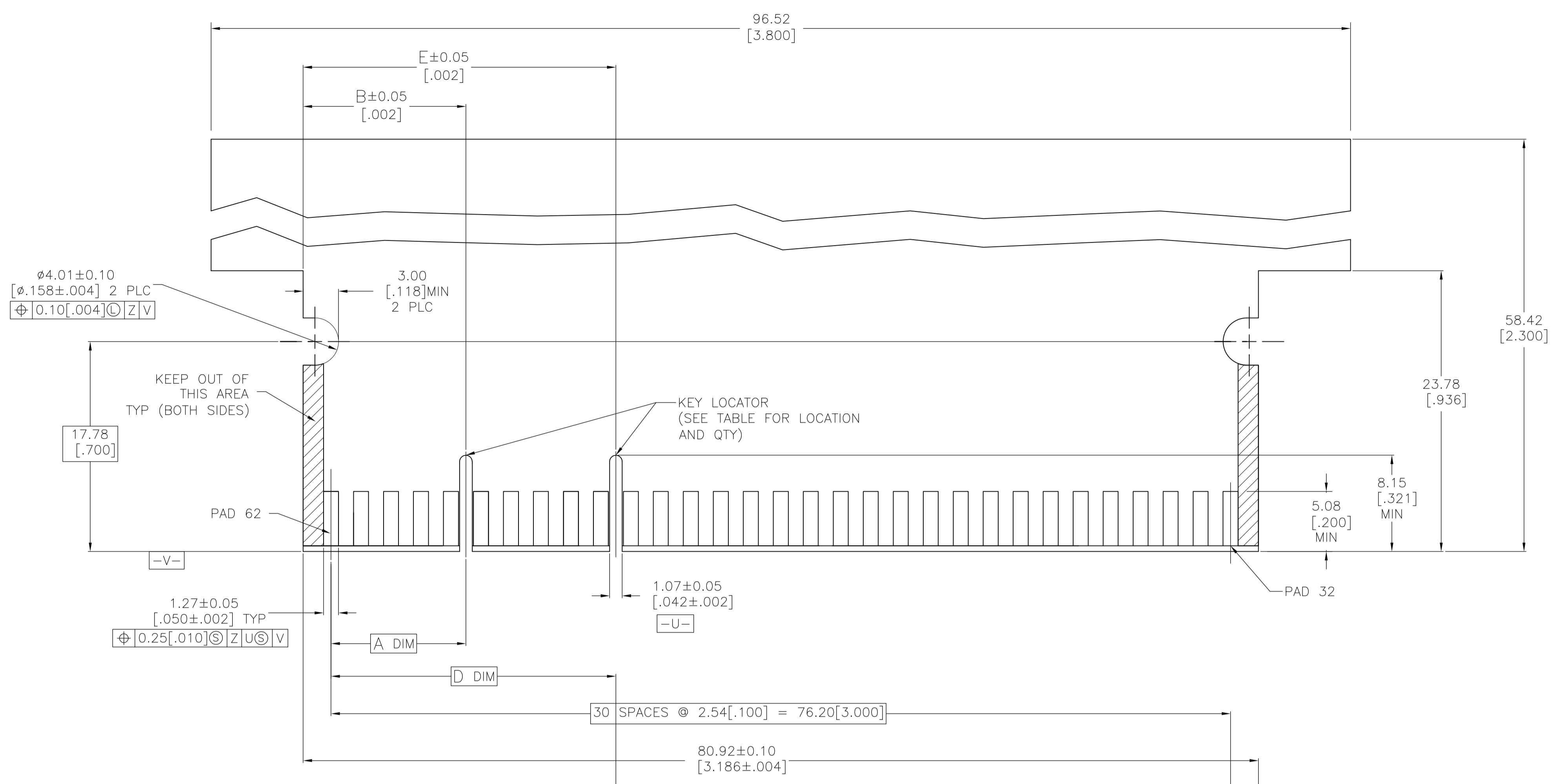
00779 6489930

SCALE 5:1 SHEET 1 OF 3 REV D2



PART 6489930-8

THIS DRAWING IS A CONTROLLED DOCUMENT.		DWN: AWF/L.A.MAYER 02APR2008	TE Connectivity
DIMENSIONS: mm [INCHES]		CHK: A.W.FRANTUM 02APR2008	
TOLERANCES UNLESS OTHERWISE SPECIFIED:		APPD: S.FLICKINGER 02APR2008	NAME: CONNECTOR ASSEMBLY
0 PLC ± -	1 PLC ± -	PRODUCT SPEC	108-2148
2 PLC ± -	3 PLC ± 0.13 [.005]	APPLICATION SPEC	114-13018
4 PLC ± -	ANGLES ± -	WEIGHT	-
MATERIAL: SEE NOTE 1	FINISH: SEE NOTE 2	SIZE: A1	CAGE CODE: 00779
CUSTOMER DRAWING		SCALE: 5:1	SHEET 2 OF 3



THIS DRAWING IS A CONTROLLED DOCUMENT.		DWN AWF/L.A.MAYER 02APR2008	STE TE Connectivity	
DIMENSIONS: mm [INCHES]		DWG A.W.FRANTUM 02APR2008	NAME CONNECTOR ASSEMBLY HIGH CURRENT CARD EDGE	
TOLERANCES UNLESS OTHERWISE SPECIFIED:		APPD S.FLICKINGER 02APR2008	PRODUCT SPEC 108-2148	
0 PLC ± -		APPLICATION SPEC 114-13018		
1 PLC ± -		SIZE A1		
2 PLC ± -		CAGE CODE 00779		
3 PLC ± 0.13 [.005]		DRAWING NO 6489930		
4 PLC ± -		RESTRICTED TO -		
ANGLES ± -		SCALE 5:1		
MATERIAL SEE NOTE 1	FINISH SEE NOTE 2	WEIGHT -	CUSTOMER DRAWING	SHEET 3 OF 3 REV D2