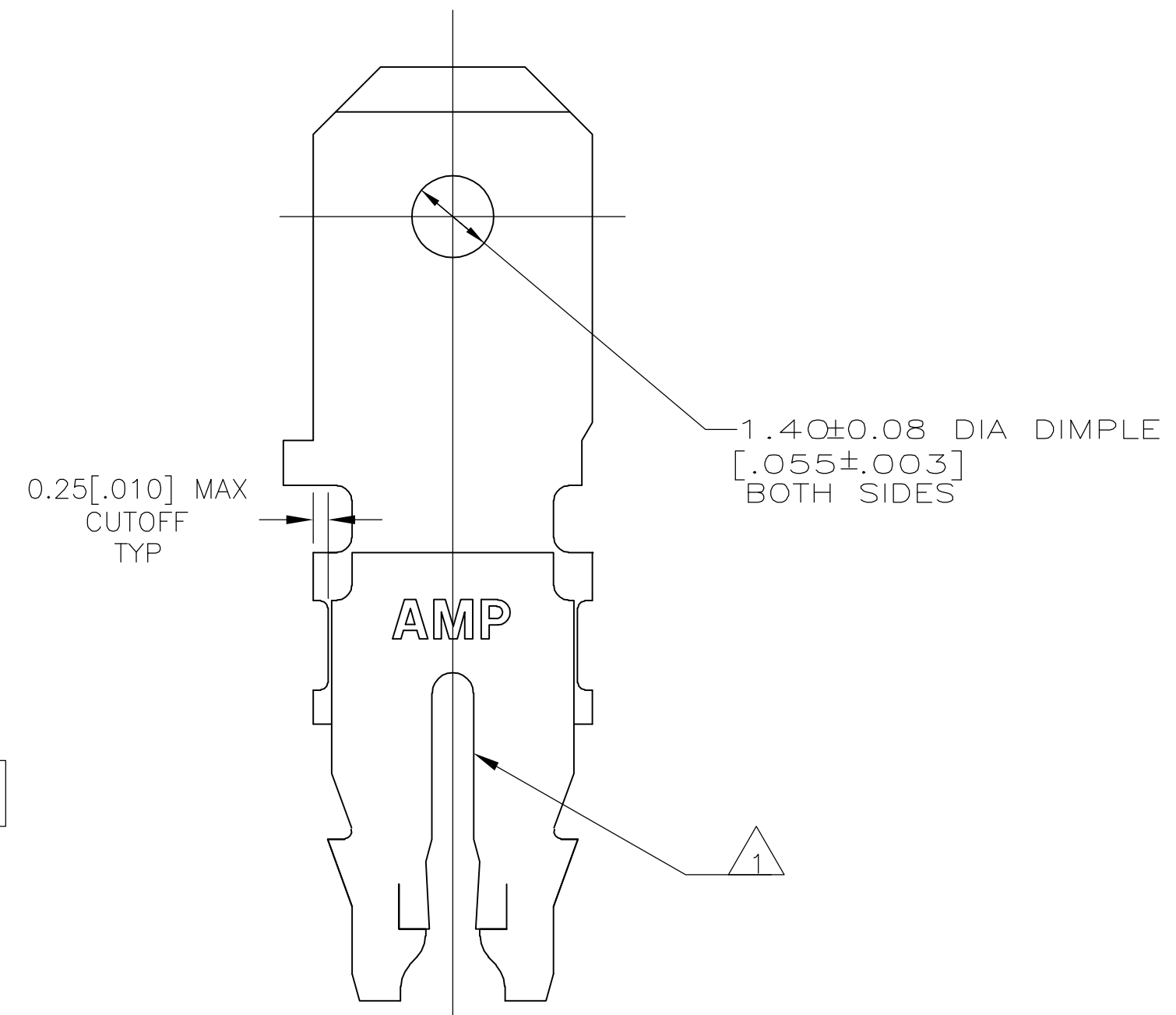
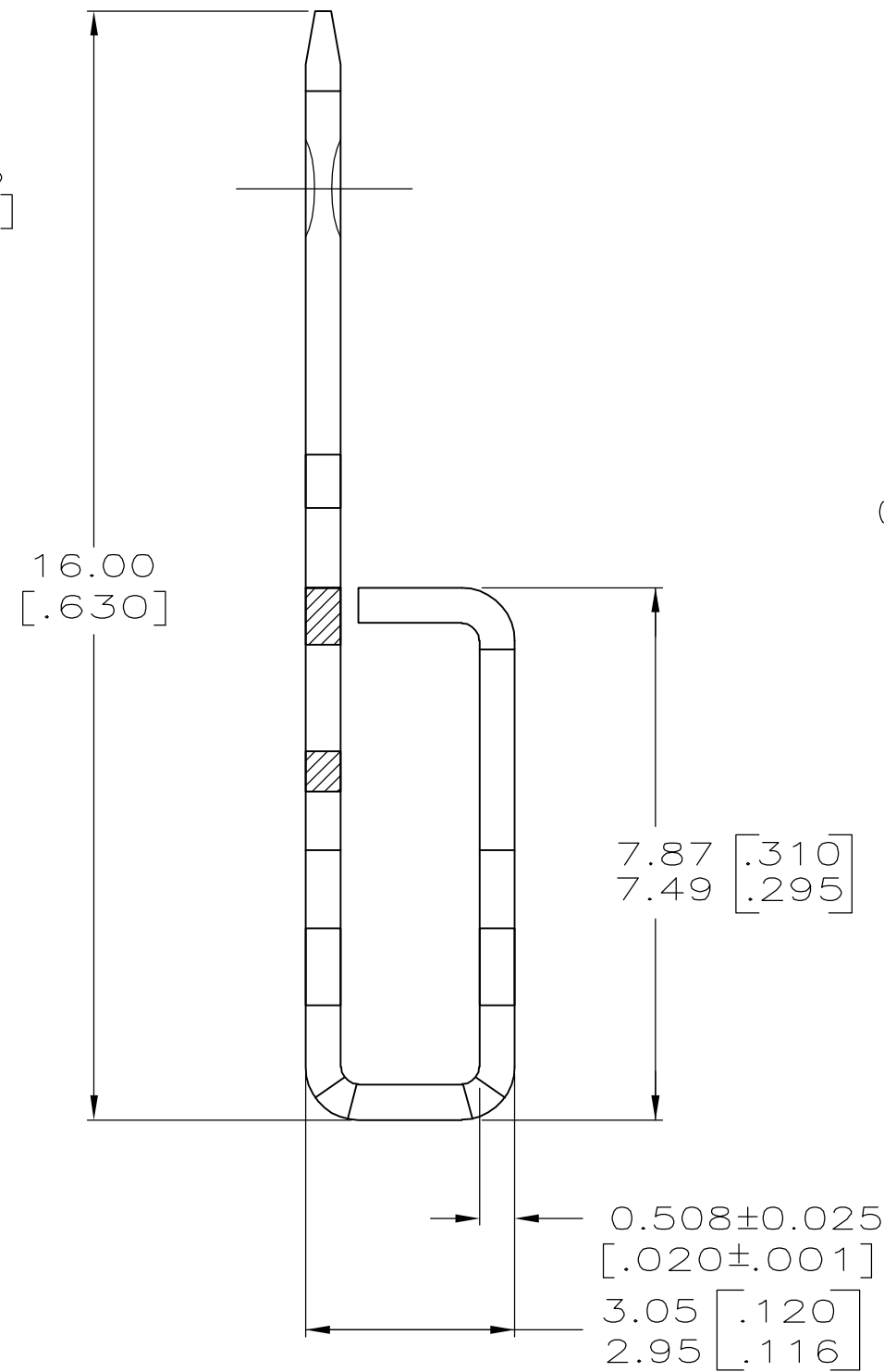
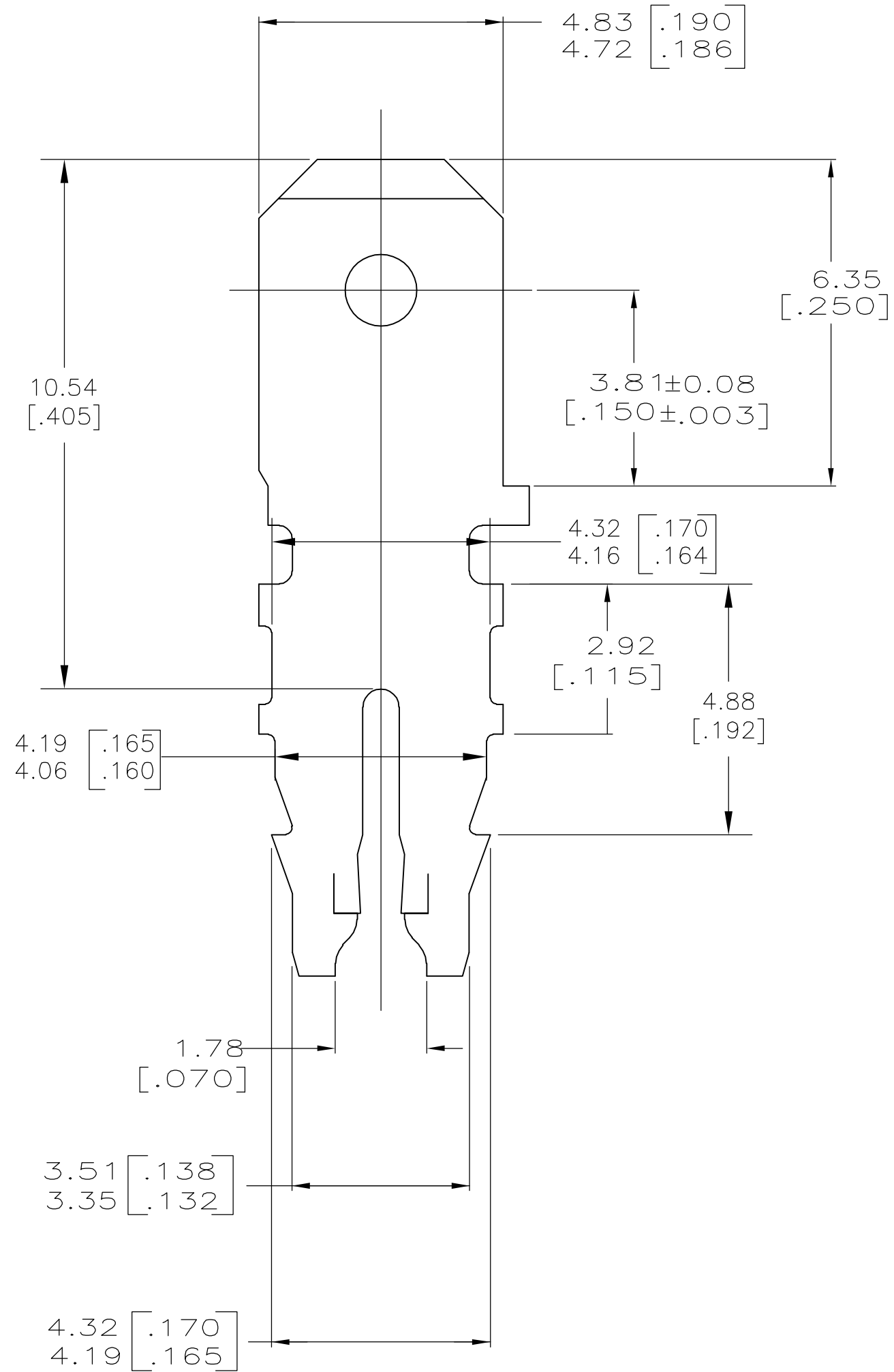


THIS DRAWING IS UNPUBLISHED. RELEASED FOR PUBLICATION
 © COPYRIGHT BY TYCO ELECTRONICS CORPORATION. ALL RIGHTS RESERVED.

LOC		DIST		REVISIONS			
P	LTR	DESCRIPTION	DATE	DWN	APVD		
AF	50	A1	REVISED PER ECR-05-009099	30AUG05	MF	KR	



- 1 SLOT TERMINATES EITHER A SINGLE OR DOUBLE MAGNET WIRE OF THE SAME SIZE AND TYPE.
COPPER RANGE: 0.91-1.15mm [#19-#17] AWG.
- 2 AFTER INSERTION INTO PLASTIC HOLDER TAB PORTION MUST BE BENT OVER 45° TO 90° OR POTTED TO PREVENT PULL-OUT WHEN MATING RECEPTACLE IS DISCONNECTED.
- 3 SPECIAL CAVITY ANVIL HEIGHT REQUIRED
3.30±0.07 [.130±.003]
REF APPLICATION SPEC 114-2046, SEC. 3.2, NOTE 7



1742242-1
PART NUMBER

THIS DRAWING IS A CONTROLLED DOCUMENT.		DWN 17FEB2005 MICHAEL S. FEHER	tyco Tyco Electronics Corporation Harrisburg, Pa 17105-3608	
DIMENSIONS: INCHES		CHK 17FEB2005 KURT A. RANDOLPH	NAME	
TOLERANCES UNLESS OTHERWISE SPECIFIED:		APVD 17FEB2005 KURT A. RANDOLPH	PRODUCT SPEC	
0 PLC ± -	1 PLC ± -	APPLICATION SPEC	108-2012	
2 PLC ± 0.25 [.010]	3 PLC ± -	114-2046	SIZE	A2
4 PLC ± -	ANGLES ± -	3	CAGE CODE	00779
MATERIAL 4M BRASS	FINISH 0.002032 [.000080] MIN TIN PLATE	WEIGHT -	DRAWING NO	C=1742242
CUSTOMER DRAWING		SCALE	10:1	SHEET 1 OF 1
		REV	A1	