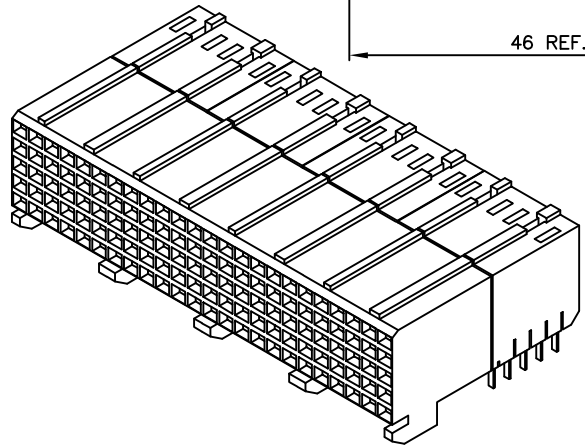
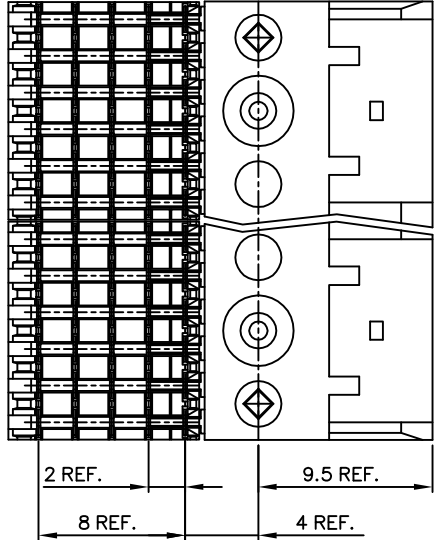
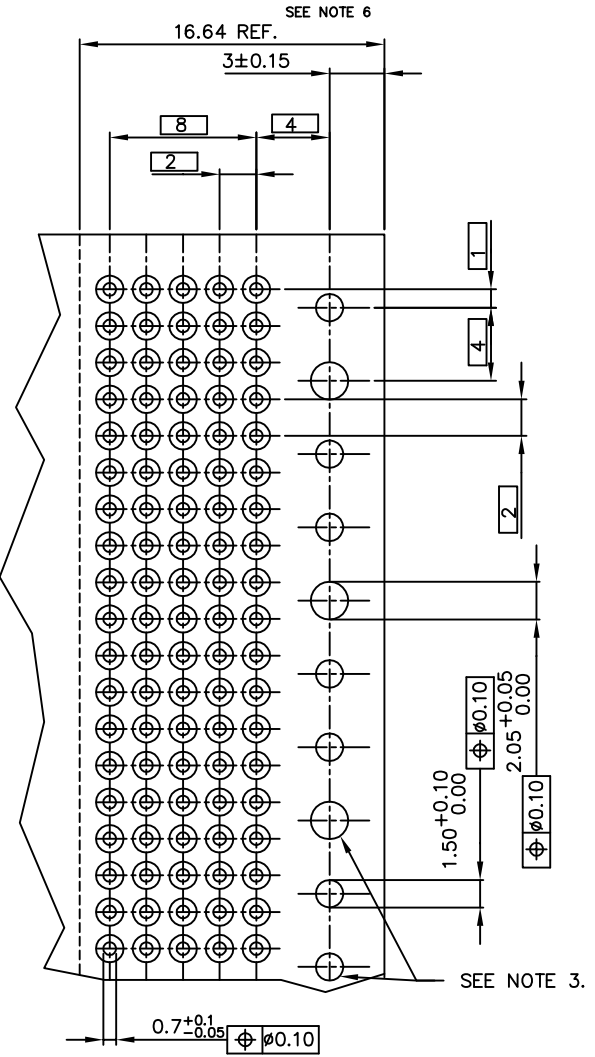
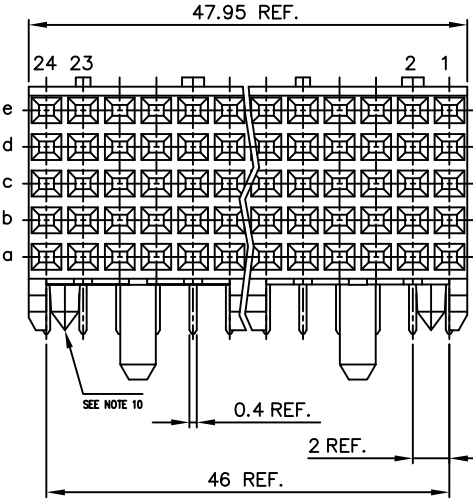
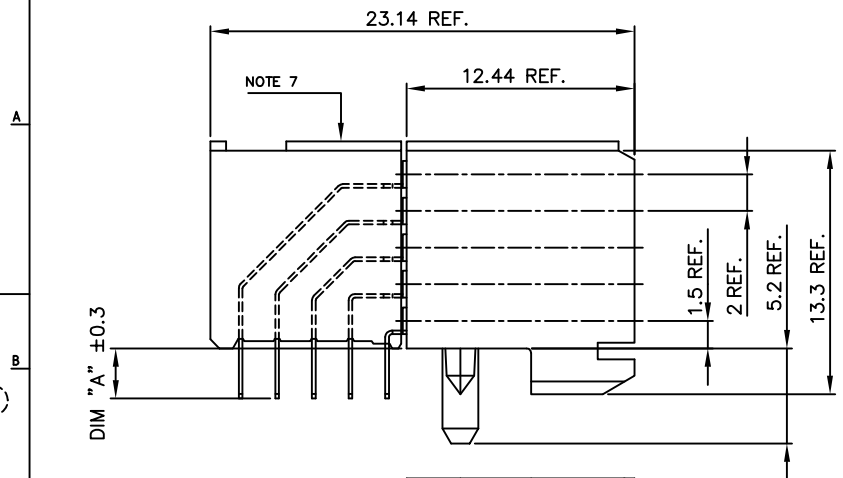


PLATING CONTACT AREA:	
DASH NR:	PERFORMANCE LEVEL
-1YY/1YYLF	TELCORDIA CO
-2YY/2YYLF	CUSTOMER SPECIAL
-3YY/3YYLF	CUSTOMER SPECIAL

PC BOARD VERSIONS		
PRODUCT NR:	PCB THICKNESS	DIM "A"
89015-X02/X02LF	1.6	2.90
89015-X12/X12LF	2.4	3.53



- NOTES:
- BODY MAT'L: LIQUID CRYSTAL POLYMER 30% GLASS
FLAME RETARDANT ACC. UL 94-V0
 - TERMINAL MATERIAL: PHOSPHOR BRONZE.
 - INDICATED HOLES ARE UNPLATED.
 - PLATING OF SOLDER TAILS 2-8 um SnPb 90-97 OR 2-8 um PURE Sn FOR LEAD FREE.
 - PRODUCT MARKING: PART NUMBER & BATCH ID.
 - SET BACK FOR TAIL BLOCK
 - TOP SURFACE OF PRESS BLOCK MAY EXTEND UP TO 0.4MM HIGHER THAN HOUSING. THIS MAY AFFECT THE TAIL LENGTH BEFORE APPLICATION TO A BOARD.
 - THIS PRODUCT MEETS EUROPEAN UNION DIRECTIVES AND OTHER COUNTRY REGULATIONS AS DESCRIBED IN GS-22-008.
 - THE HOUSING WILL WITHSTAND EXPOSURE TO 260DEGREE PEAK TEMPERATURE FOR 10 SECONDS IN A WAVE SOLDER APPLICATION.
 - DIAMOND LOCATION PEG ARE ONLY EXISTED ON THE BOTH SIDES OF PRODUCT.

mat'l. code		tolerances unless otherwise specified		CUSTOMER COPY		FCI ELECTRONICS	
ltr	ecn no	dr	date	linear	projection	title	www.fciconnect.com
A	H40101	VWO	940209			5 ROW R.A. S.T.B. SIGNAL RECEPT. 48 mm MODULE	
B	H40487	DOB	940802				
C	V00578	LLA	000316	angles			
D	V00850	GNY	000512	dr	H v Woensel	940127	product family METRAL (tm) code
E	0604-0104	CLU	041223	engr	H v Woensel	940127	size dwg no 213
F	D607-0170	Cent	05/22/07	chr	E Feijen	940127	scale 5:1
G	D609-0088	Cent	06/06/08	app	H v Woensel	940127	A2 89015 sheet 1 of 1
sheet	revision						
index	sheet						

All rights strictly reserved. Reproduction or issue to third parties in any form without written authority from FCI is prohibited. FCI is not responsible for any damage or loss of data resulting from the use of this information. © FCI Inc.