

THIS DRAWING IS UNPUBLISHED. RELEASED FOR PUBLICATION
 © COPYRIGHT - By - ALL RIGHTS RESERVED.

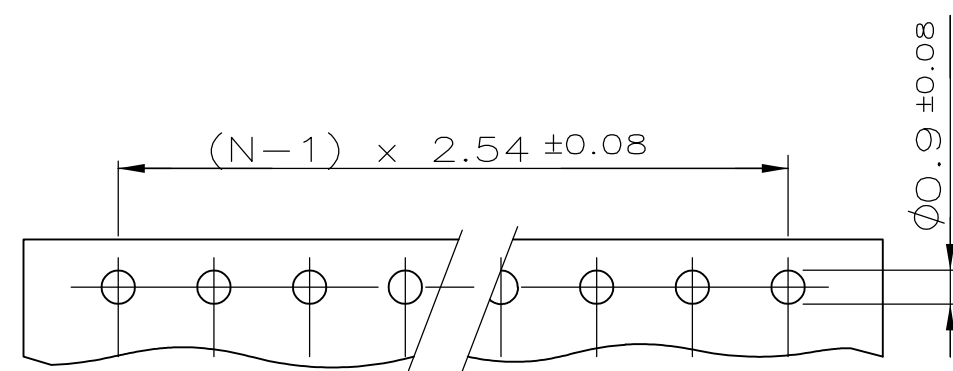
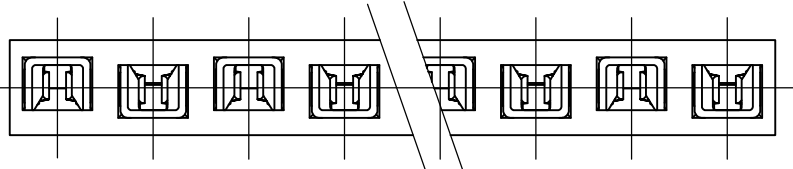
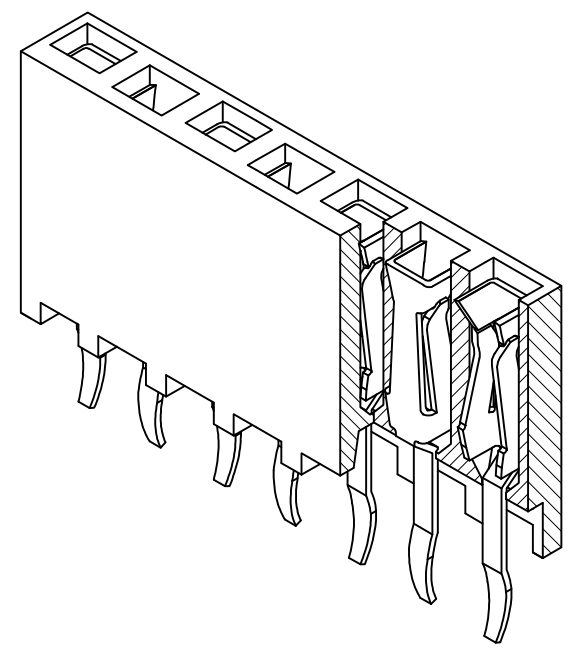
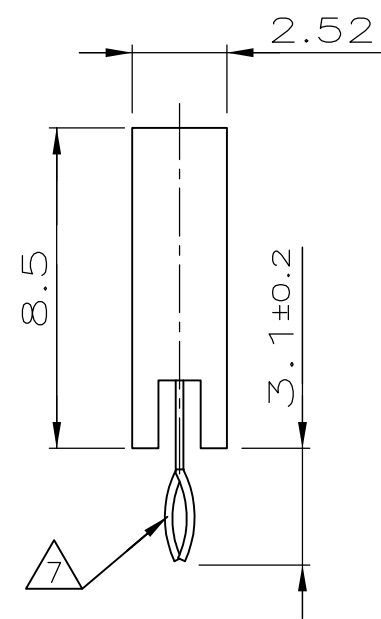
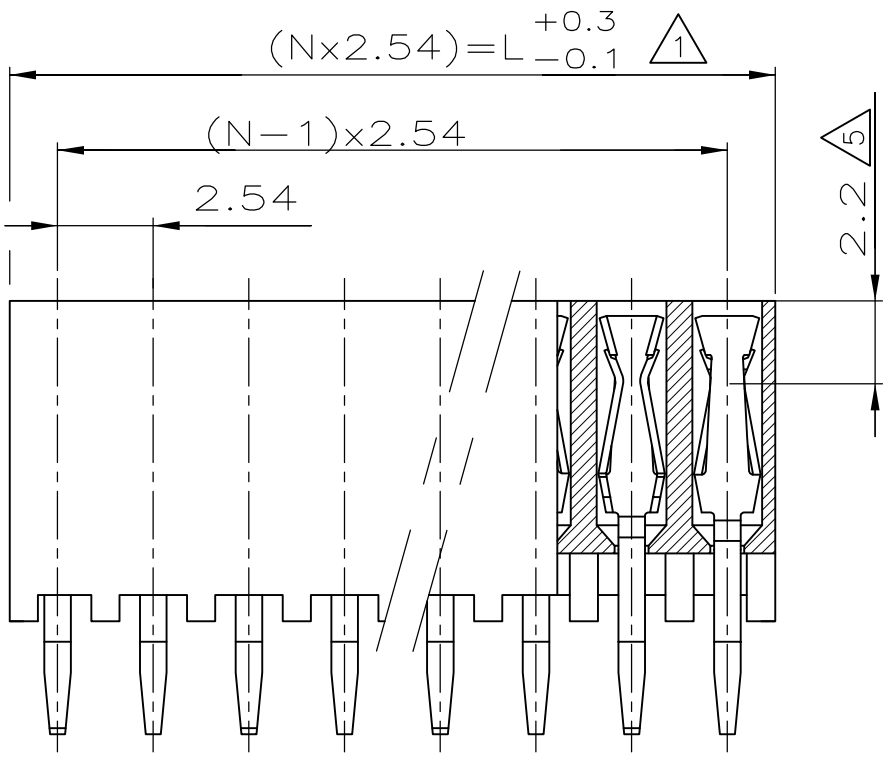
LOC	DIST	REVISIONS					
		P	LTR	DESCRIPTION	DATE	DWN	APVD
-	-	F		END STAND OFF WIDTH INCREASED	07JAN2016	KJK	PS

NOTES:

- 1. TO DETERMINE DIMENSIONS TAKE N = NO. OF POS.
 FOR EXAMPLE: 10 POS.: $N \times 2.54 = 25.4$ mm
 FOR ORDER NO. USE BASIC NO. + NO. OF POS.
 FOR EXAMPLE: 2 POS. = 215300-2 (SHORTEST VERSION)
 36 POS. = 3-215300-6 (LONGEST VERSION)
- 2. HOUSING MATERIAL: GREEN GLASSFILLED POLYESTER, UL 94V-0
 CONTACT MATERIAL: PHOSPHOR BRONZE.
- 3. PLATING: 2,5µm-4µm TIN OVER MIN 0.5µm NICKEL
- 4. MATES WITH 0,63 SQUARE/ROUND MODU POSTS.
- 5. CONTACT-POINT.
- 6. RECOMMENDED P.C.BOARD-THICKNESS: 1,6mm.
- 7. RETENTION FEATURE.
- 8. HV100 CONNECTOR PACKED IN ANTISTATIC BLISTER TRAY

POS.	L	PART NUMBER		
-	-	-		
2	5.08	215 300-2		
3	7.62	-3		
4	10.16	-4		
5	12.70	-5		
6	15.24	-6	OBSOLETE	
7	17.78	-7	OBSOLETE	
8	20.32	-8		
9	22.86	-9	OBSOLETE	
10	25.40	1-	-0	
11	27.94	1-	-1	
12	30.48	1-	-2	
13	33.02	1-	-3	OBSOLETE
14	35.56	1-	-4	OBSOLETE
15	38.10	1-	-5	OBSOLETE
16	40.64	1-	-6	OBSOLETE
17	43.18	1-	-7	
18	45.72	1-	-8	
19	48.26	1-	-9	
20	50.80	2-	-0	
21	53.34	2-	-1	
22	55.88	2-	-2	
23	58.42	2-	-3	
24	60.96	2-	-4	OBSOLETE
25	63.50	2-	-5	
26	66.04	2-	-6	OBSOLETE
27	68.58	2-	-7	OBSOLETE
28	71.12	2-	-8	OBSOLETE
29	73.66	2-	-9	OBSOLETE
30	76.20	3-	-0	
31	78.74	3-	-1	OBSOLETE
32	81.28	3-	-2	
33	83.82	3-	-3	
34	86.36	3-	-4	OBSOLETE
35	88.90	3-	-5	
36	91.44	3- 215 300-6	OBSOLETE	

VERWENDET FÜR
E 92-9803



P.C.-BOARD HOLE-PATTERN

THIS DRAWING IS A CONTROLLED DOCUMENT.		DWN L.V.D.HEYDEN	09.07.86	TE Connectivity	
DIMENSIONS: mm		CHK W.SIMONS	-		
TOLERANCES UNLESS OTHERWISE SPECIFIED: ±0.15		APVD L.v.SOEST	NAME	HV 100 VERTICAL CONNECTOR, SINGLE ROW, 8,5mm HEIGHT, TOP ENTRY, TIN.	
0 PLC ±- 1 PLC ±- 2 PLC ±- 3 PLC ±- 4 PLC ±- ANGLES ±-		PRODUCT SPEC 108-19056	APPLICATION SPEC		
MATERIAL SEE NOTES		FINISH SEE NOTES	WEIGHT -	SIZE A3	CAGE CODE 00779
		CUSTOMER DRAWING		DRAWING NO C-215300	RESTRICTED TO -
				SCALE 5:1	SHEET 1 OF 1
				REV F	