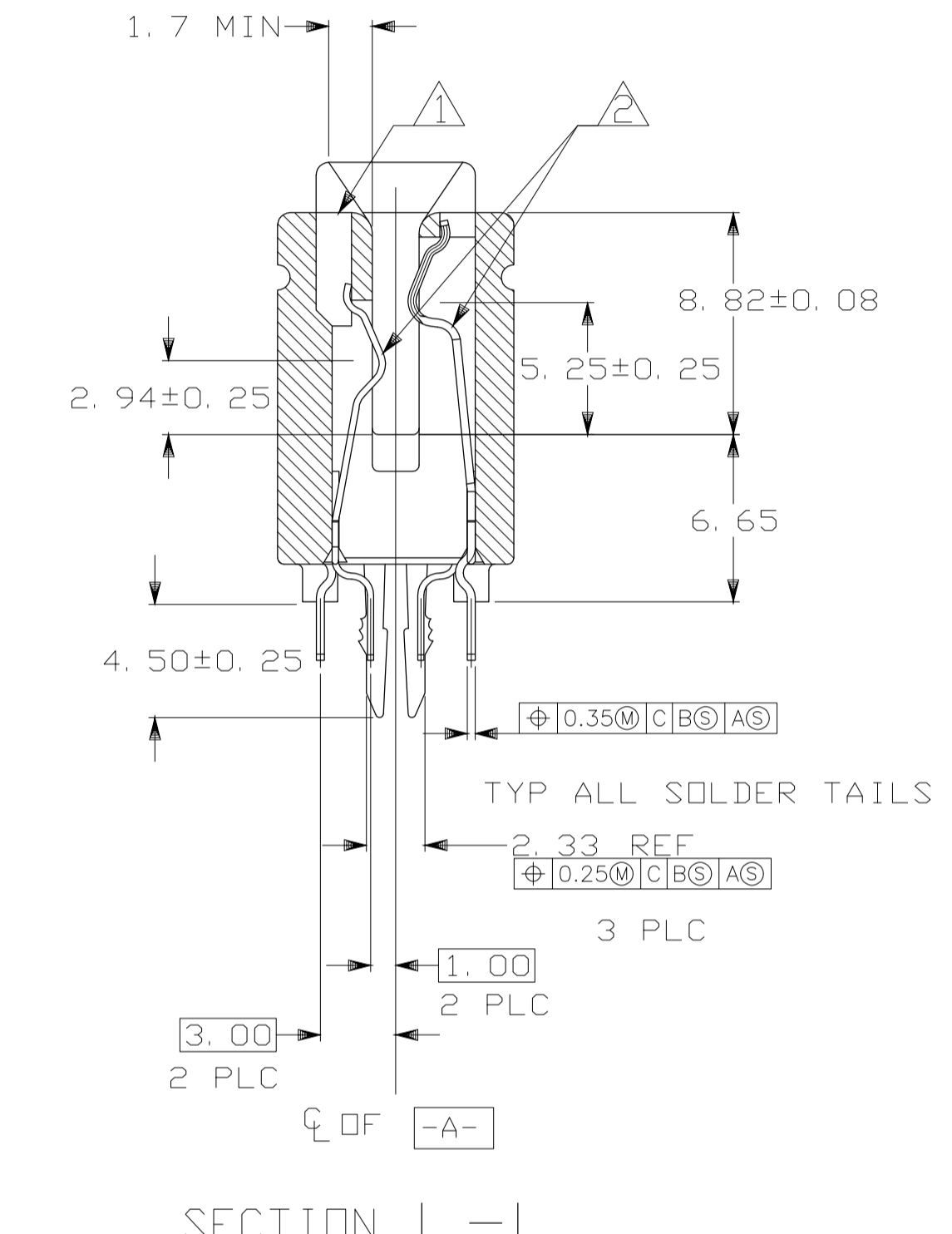
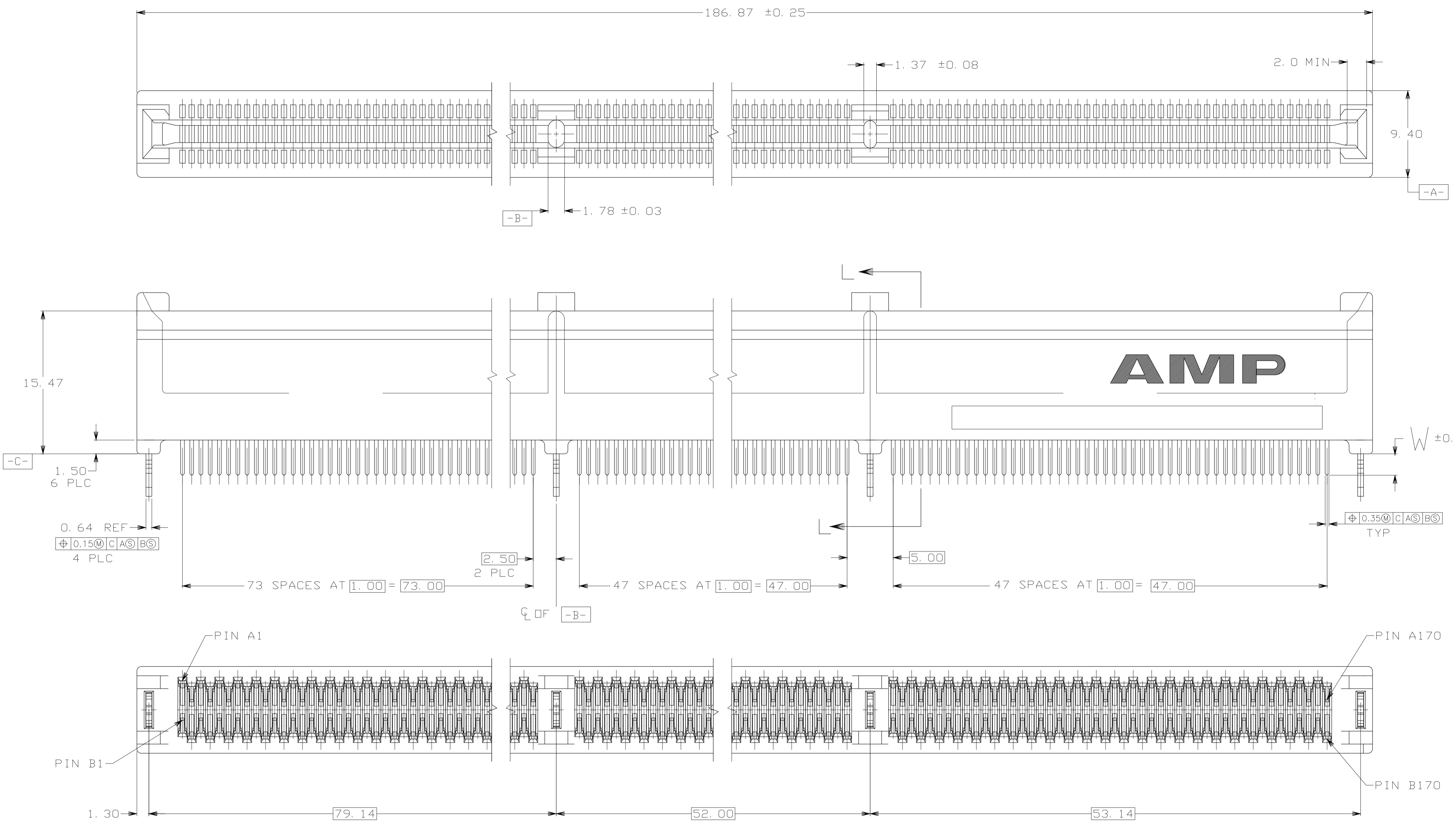


LOC		DIST		REVISIONS			
P	LTR	DESCRIPTION	DATE	DMN	APVD		
0		RELEASED ECR-05-003216	22MAR05	G.Z.	I.E.		
01		REVISED PER ECO-10-000444	19JAN10	KK	HMR		



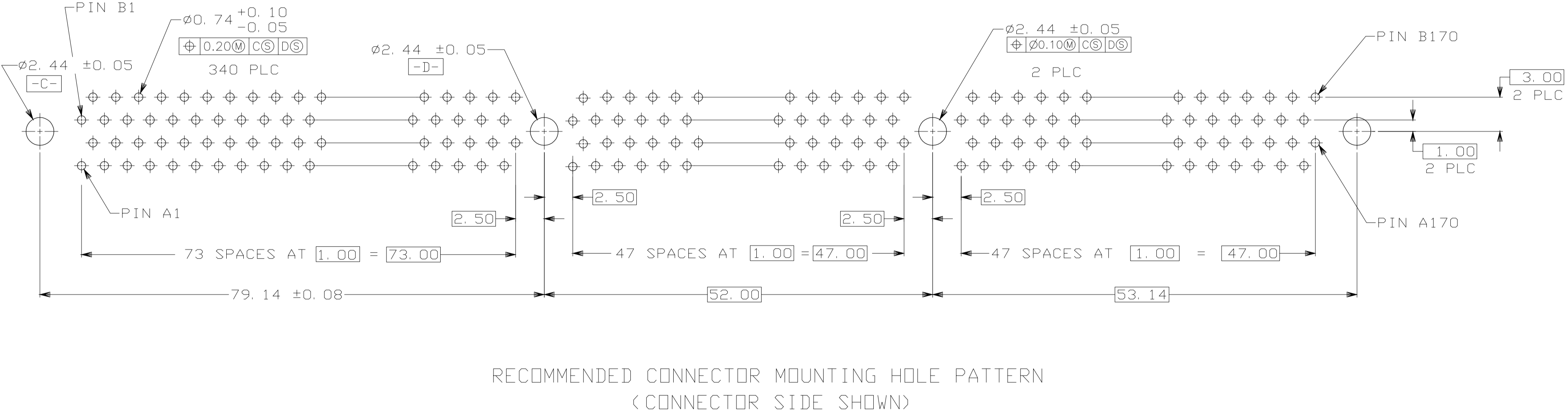
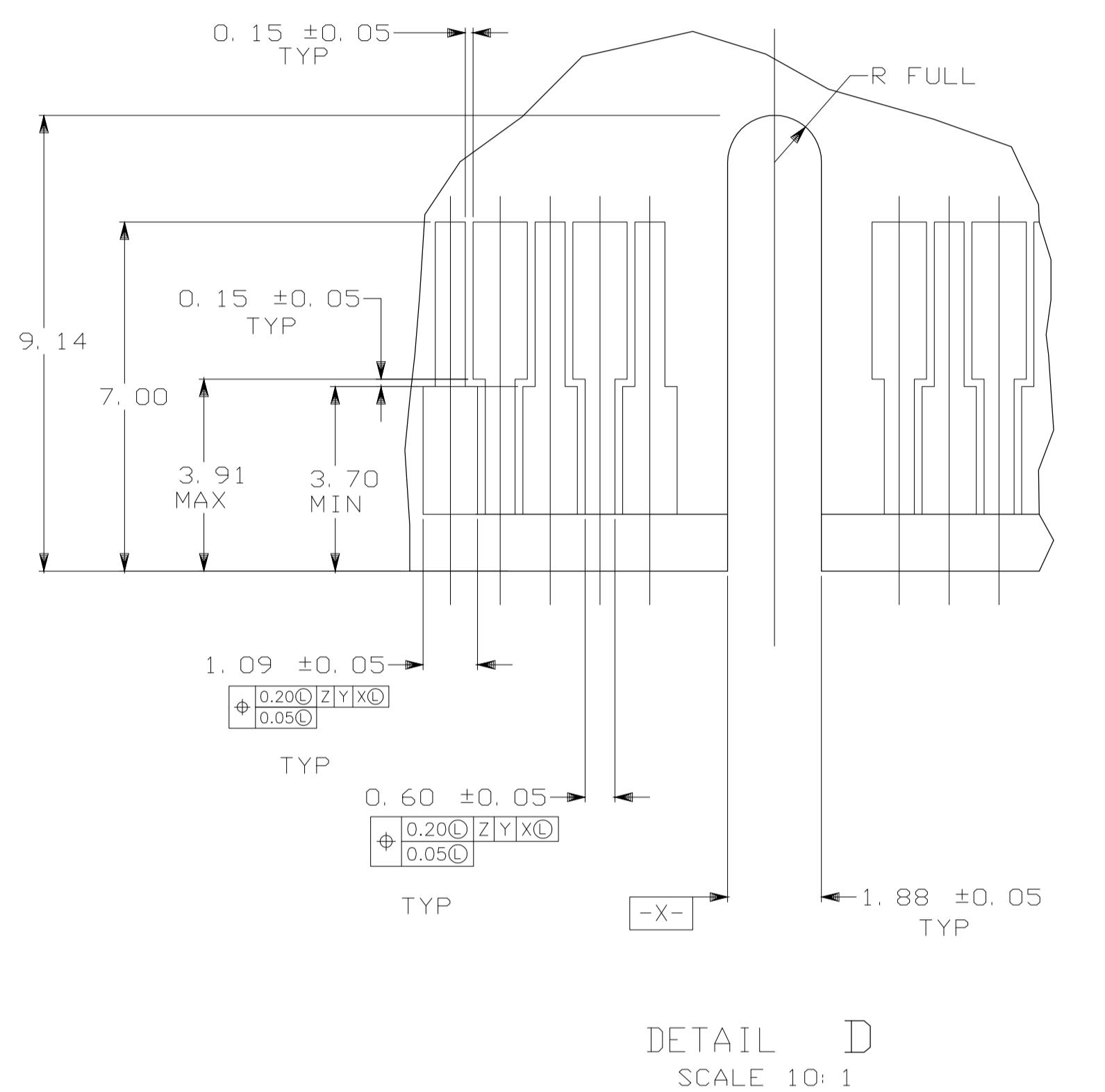
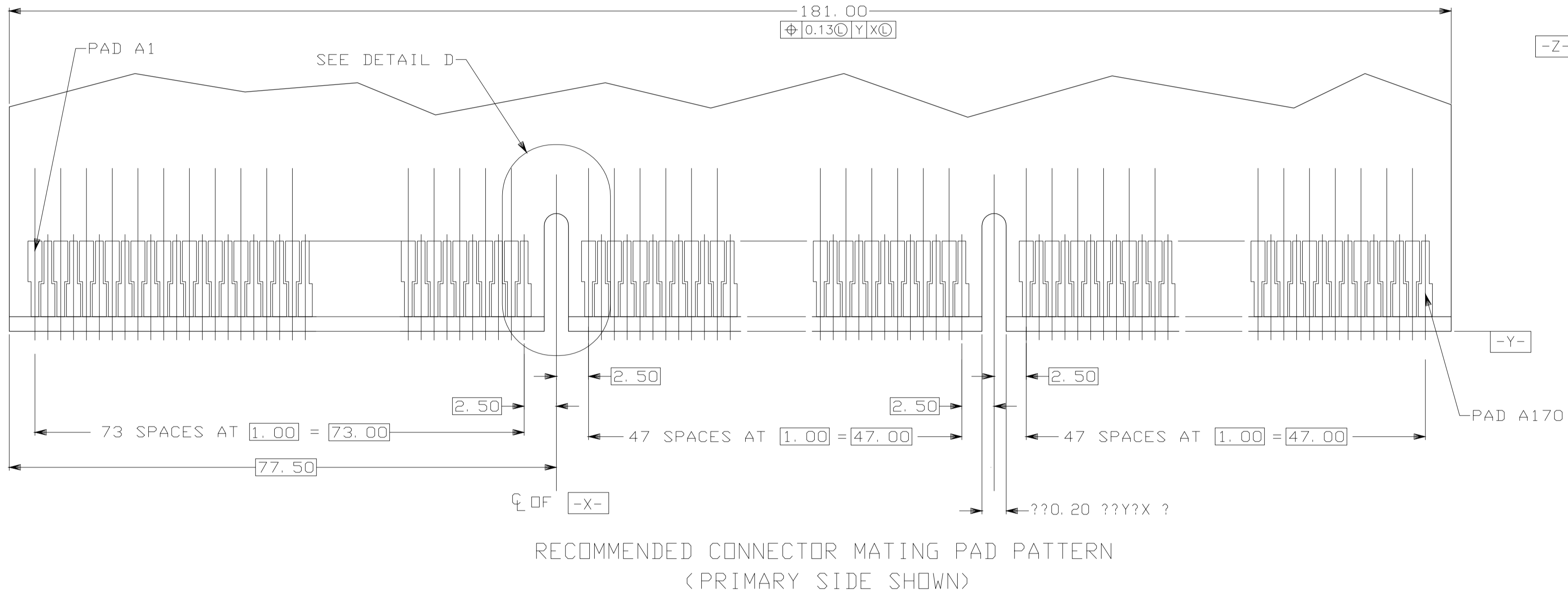
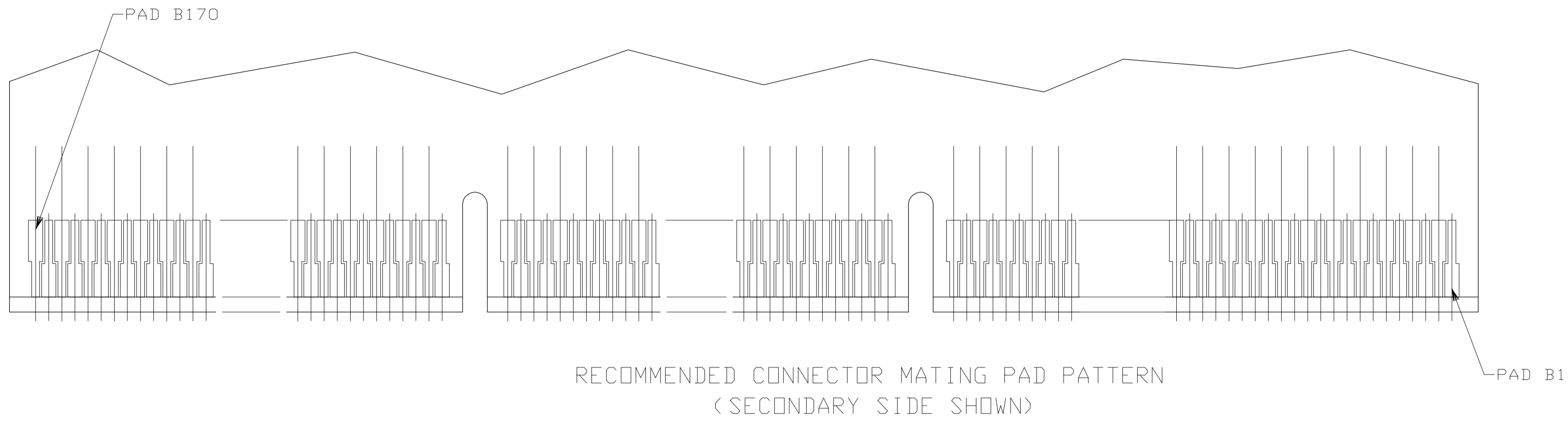
- ⚠ MATERIAL: HOUSING, THERMOPLASTIC, COLOR: BROWN.
CONTACTS, PHOSPHOR BRONZE.
HOLD-DOWNS, BRASS.
- ⚠ FINISH: CONTACTS, 1.27 MIN. MICROMETERS NICKEL ALL OVER,
0.38 MIN. MICROMETERS GOLD OVER NICKEL IN CONTACT AREA,
2.54 MIN MICROMETERS TIN OVER NICKEL ON SOLDER TAILS.
- ⚠ FINISH: CONTACTS, 1.27 MIN. MICROMETERS NICKEL ALL OVER,
0.0254-0.0762 MICROMETERS GOLD OVER NICKEL IN CONTACT AREA,
2.54 MIN. MICROMETERS TIN OVER NICKEL ON SOLDER TAILS.
- ⚠ OBSOLETE PARTS: OBSOLETE CIS STREAMLINING PER D. RENAUD/D. SINISI

REVISION	DESCRIPTION	DATE	BY	CHKD
4	OBSOLETE	3.18	5145275-6	
		2.54	5145275-5	
		3.18	5145275-3	
		2.54	5145275-2	
		2.16	5145275-1	

THIS DRAWING IS A CONTROLLED DOCUMENT.

DIMENSIONS:	TOLERANCES UNLESS OTHERWISE SPECIFIED:	DMN	GAVIN ZHANG	22MAR05	Tyco Electronics Corporation Shanghai, P.R.China, 200233
mm	0 PLC ± - 1 PLC ± - 2 PLC ± 0.13 3 PLC ± 0.013 4 PLC ± - ± Z ANGLES ± - ± Z	CHK	STEVEN YAO	22MAR05	
MATERIAL	FINISH	APVD	RENOMOTO	22MAR05	NAME
		APPLICATION SPEC			ASSEMBLY, 340 POSITION 1mm, CARD EDGE CONNECTOR
		WEIGHT			SIZE
					A1 00779 C=5145275
		CUSTOMER DRAWING			SCALE
					4:1
					SHEET
					1 OF 2
					REV
					01

LOC		DIST		REVISIONS			
P	LTR	DESCRIPTION	DATE	DN	APVD		
-	-	SEE SHEET 1/2	-	-	-	-	-



THIS DRAWING IS A CONTROLLED DOCUMENT.		DIN GAVIN ZHANG 22MAR05		Tyco Electronics Tyco Electronics Corporation	
DIMENSIONS: mm		CHK STEVEN YAO 22MAR05		Shanghai, P.R.China, 200233	
TOLERANCES UNLESS OTHERWISE SPECIFIED:		APVD IENOMOTO 22MAR05		NAME ASSEMBLY, 340 POSITION	
0 PLC ± -		PRODUCT SPEC		1mm, CARD EDGE CONNECTOR	
1 PLC ± -		APPLICATION SPEC		SIZE A1	
2 PLC ± 0.13		WEIGHT		CAGE CODE 00779	
3 PLC ± -		CUSTOMER DRAWING		DRAWING NO. 5145275	
4 PLC ± -		SCALE 4:1		SHEET 2 OF 2	
ANGLES ± 2'		REV 01			