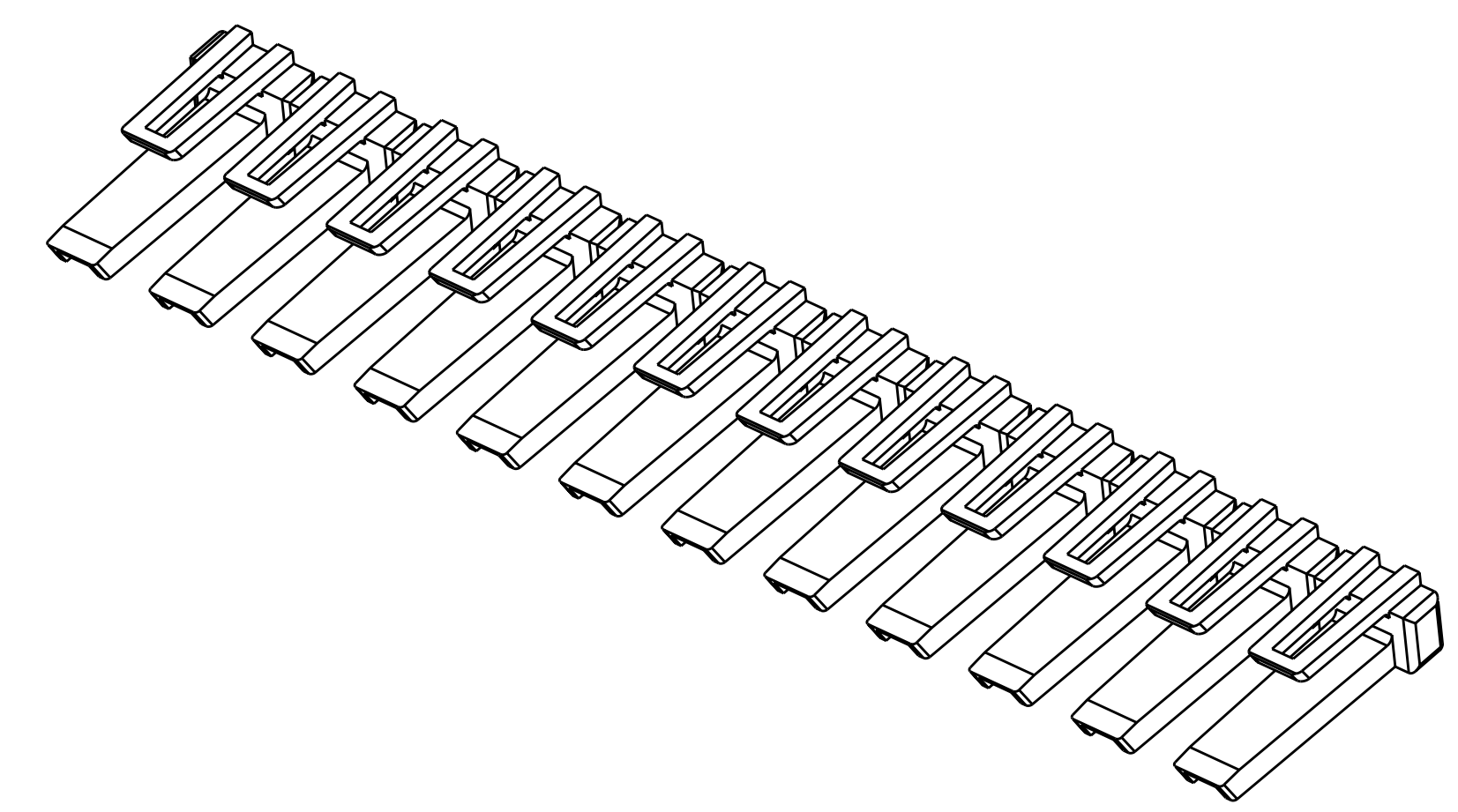
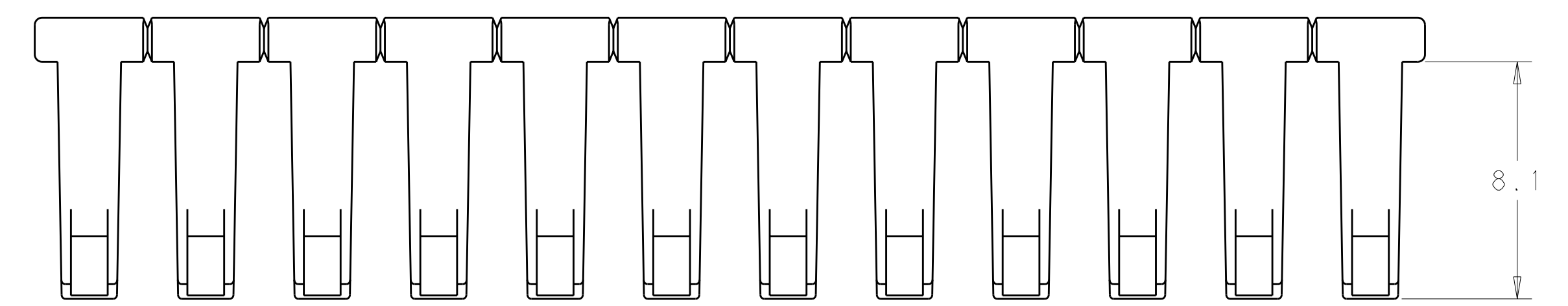
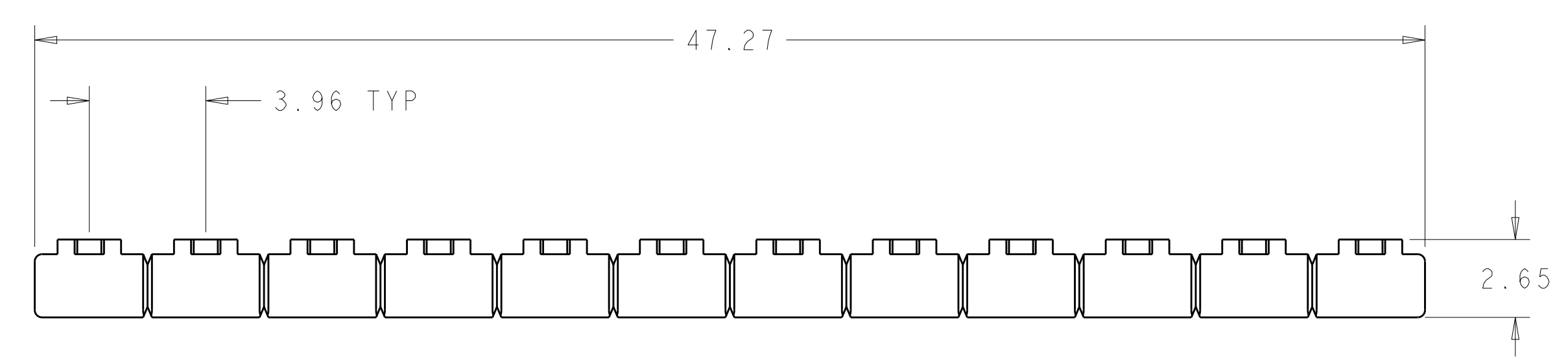
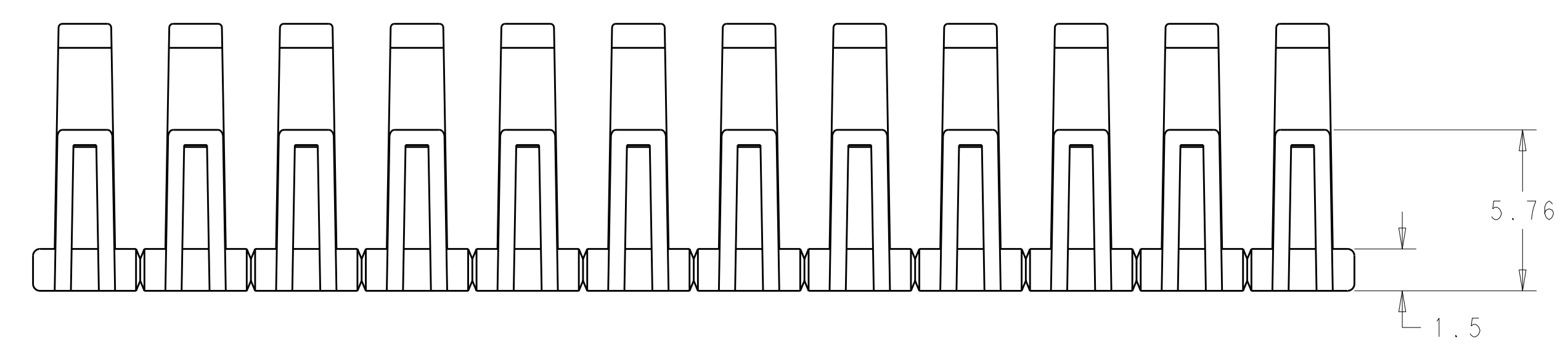


LOC		DIST		REVISIONS			
GP	00	P	LTW	DESCRIPTION	DATE	DWN	APVD
		B		REVISED PER ECO-11-020122	10OCT2011	KH	SM



ISOMETRIC VIEW

- 1. MATERIAL: NYLON, UL94V-0 FLAME RETARDENT, COLOR: BLACK
- 2. RETAINER MANUFACTURED AS A 12 POSITION ITEM, TO APPLY ON HOUSINGS 2 POSITION THRU 11 POSITIONS SEPARATE RETAINER AT APPROPRIATE NOTCHES FOR SIZE REQUIRED. REFERENCE 2 POSITION HSG, P/N 2132813-2; AND 3 THRU 12 POSITION HSGS, P/N 2132781-3 THRU 1-2132781-2 RESPECTIVELY.

12 POSITIONS	1-2132782-2
DESCRIPTION	PART NUMBER

THIS DRAWING IS A CONTROLLED DOCUMENT.		DWN	G. PETERS	09FEB2010	TE Connectivity NAME BREAKAWAY RETAINER, ECONOMY POWER II, 3.96 CENTERLINE			
DIMENSIONS:		CHK	E. HOWARD	09FEB2010				
TOLERANCES UNLESS OTHERWISE SPECIFIED:		APVD	S. FLICKINGER	09FEB2010				
mm		PRODUCT SPEC						
0 PLC ±.4 1 PLC ±0.4 2 PLC ±0.25 3 PLC ±0.127 4 PLC ±. ANGLES ±. FINISH -		APPLICATION SPEC						
MATERIAL		WEIGHT			SIZE	CAGE CODE	DRAWING NO	RESTRICTED TO
-		-			A100779	C=2132782		
-		CUSTOMER DRAWING			SCALE	1:1	SHEET	1 OF 1
-								REV B