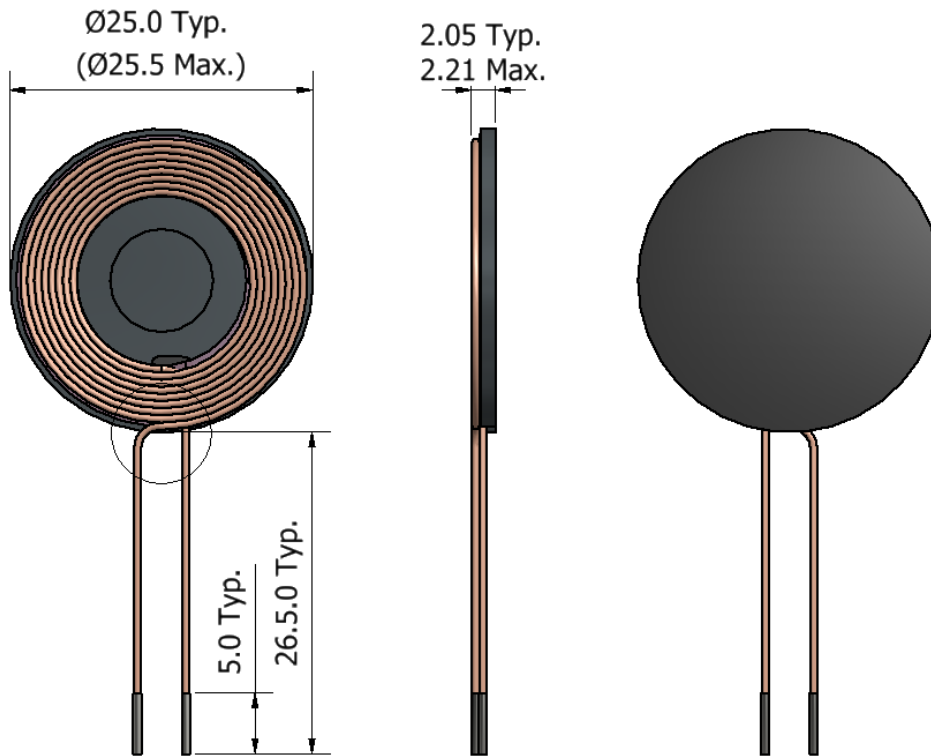
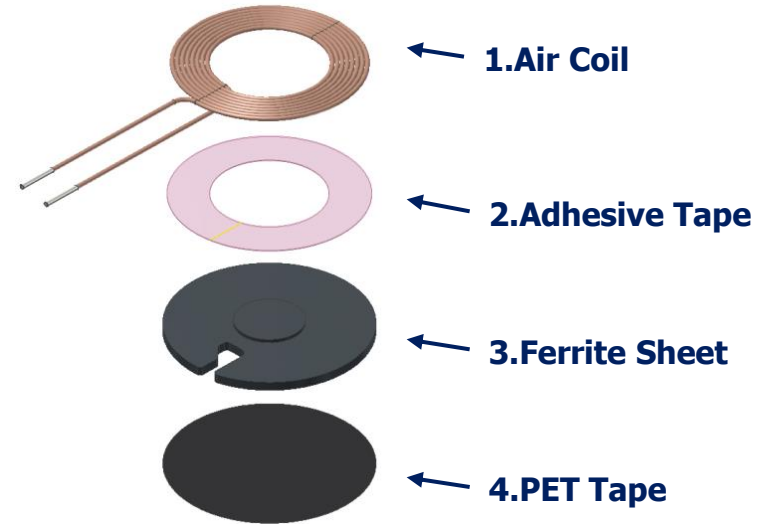


= Dimension of coil unit =



= Coil unit Assembly=



= Electrical Characteristics=

- L_s [uH] : $2.76 \text{ uH } \pm 5\% @ 1.0\text{MHz}$
- R_s [ohm] : $0.15 \text{ } \Omega \pm 10\% @ 1.0\text{MHz}$
- R_{dc} [Ohm] : $0.07 \text{ } \Omega$ typ