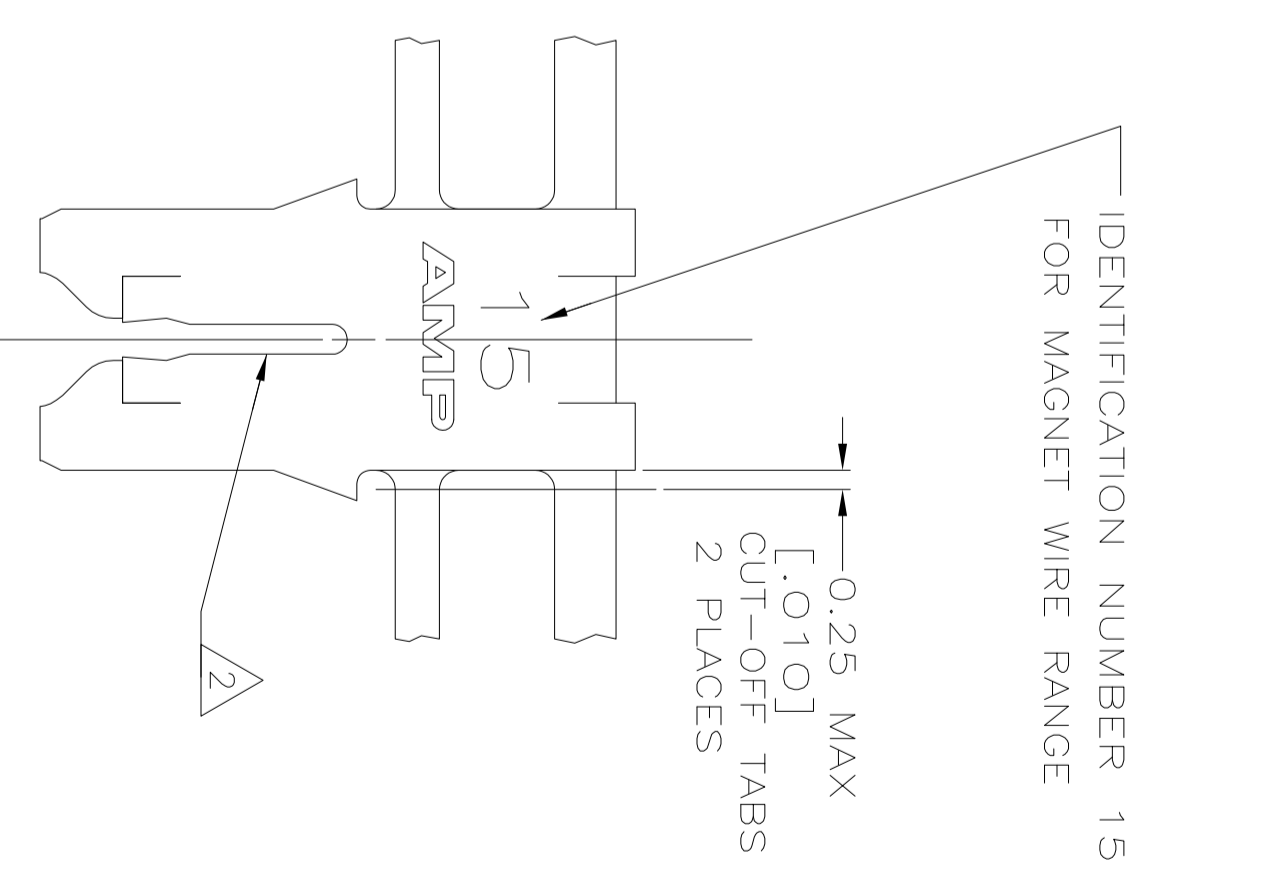
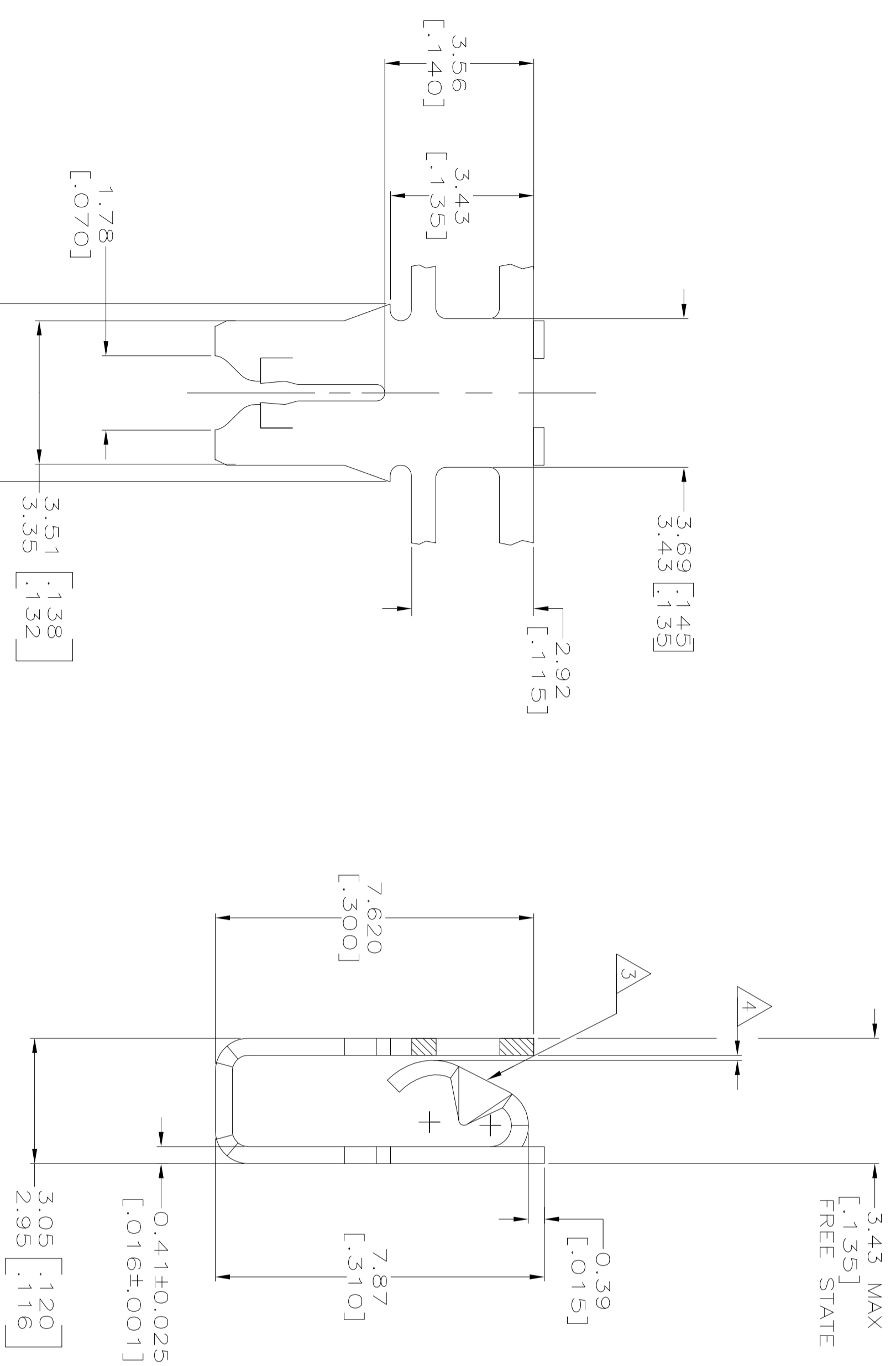
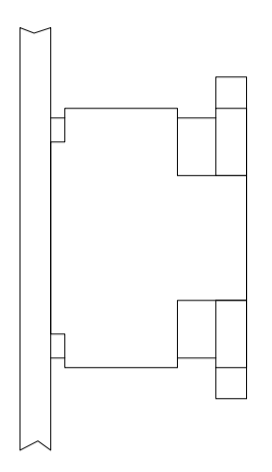


REVOLUTIONS		DATE	BY	APP'D
AF	50			
A2		26DEC12	CX	LL

- 1 CONTINUOUS STRIP ON REELS WITH TERMINALS LOCATED ON 5.59±0.08 [.220±.003] CENTERS
- 2 SLOT ACCEPTS A 0.54-0.64mm [#23.5-#22] AWG COPPER MAGNET WIRE.
- 3 MATES WITH STANDARD MAG-MATE STYLED POKE-IN TAB TERMINAL.
- 4 WHEN FREE STATE IS COMPRESSED TO 3.23 [.127] DIMENSION GAP BETWEEN SPRING AND CARRIER IS TO BE 0.30 [.012] MAX.
- 5 0.002032 [.000080] MIN TIN OVER 0.00127 [.000050] MIN NICKEL UNDERPLATE.
- 6 PRELIMINARY - NOT FOR PRODUCTION



OBSOLETE	REVERSED	1217190-2/6
OBSOLETE	STANDARD	1217190-1

REELING PART NUMBER

DMN MICHAEL S. FEHER 19NOV1999 Tyco Electronics Corporation Harrisburg, PA 17105-3608  
 CHK KURT A. RANDOLPH 22NOV1999  
 APVD KURT A. RANDOLPH 22NOV1999

THIS DRAWING IS A CONTROLLED DOCUMENT.  
 DIMENSIONS: mm [INCHES] TOLERANCES UNLESS OTHERWISE SPECIFIED:  
 0 PLC ± -  
 1 PLC ± 0.25 [.010]  
 2 PLC ± -  
 3 PLC ± -  
 4 PLC ± -  
 MATERIAL 4M BRASS FINISH 5

PRODUCT SPEC 108-2012 SPECIAL LEAF CONTACT, 300 SERIES MAG-MATE  
 APPLICATION SPEC 114-2046  
 WEIGHT -  
 CUSTOMER DRAWING

SIZE	Q&E CODE	DRAWING NO	RESTRICTED TO
A2	00779	1217190	-

SCALE 10:1 SHEET 1 OF 1 REV A2