

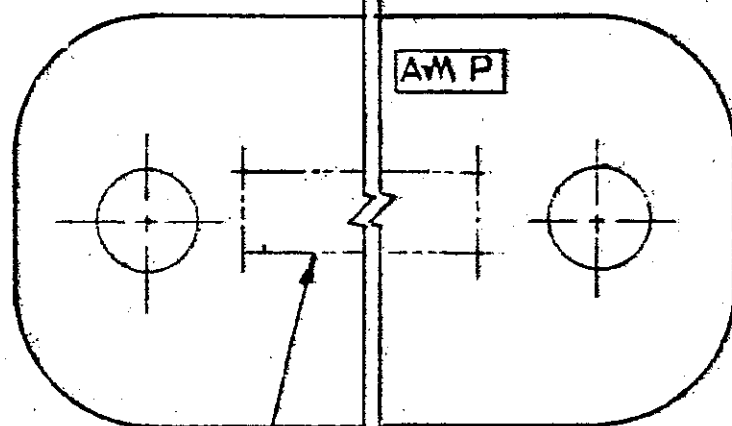
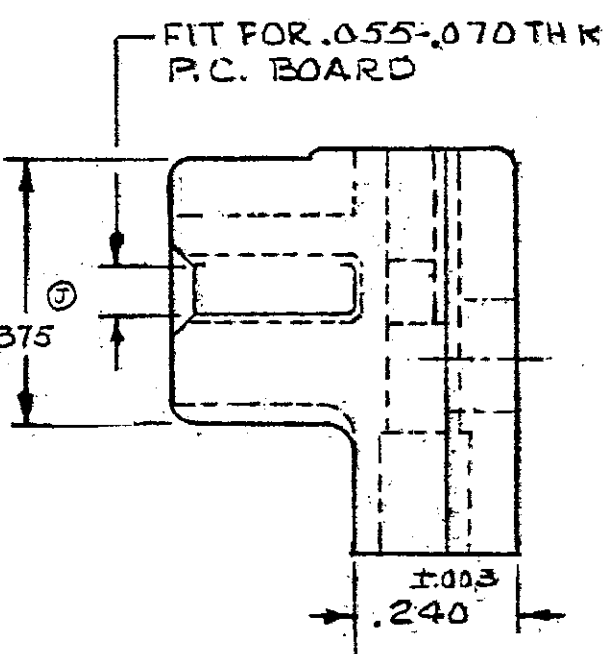
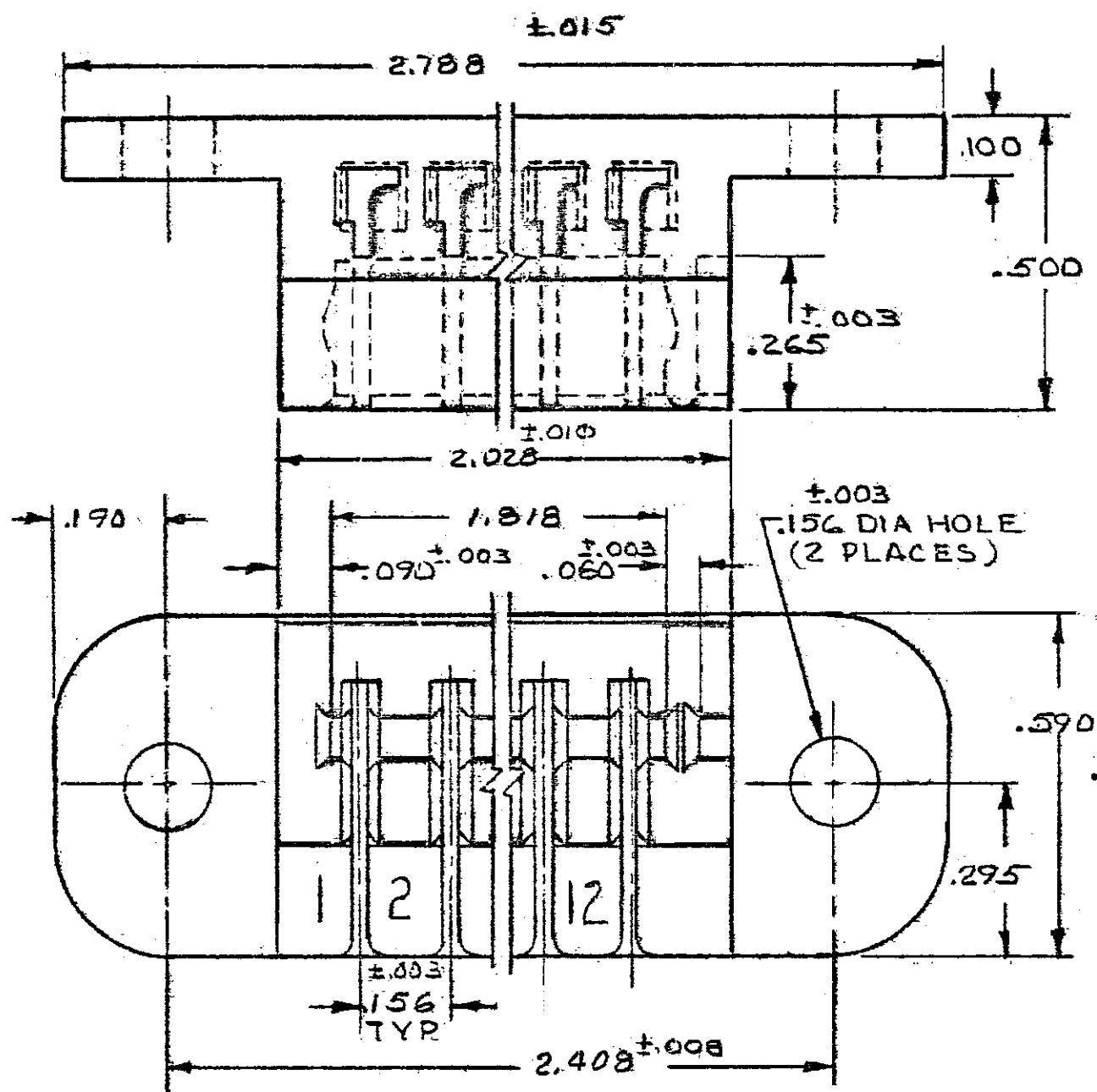
DRAWING MADE IN AMERICAN PROJECTION

© 1972 BY AMP INCORPORATED. ALL RIGHTS RESERVED. AMP PRODUCTS COVERED BY PATENTS AND OR PATENTS PENDING.

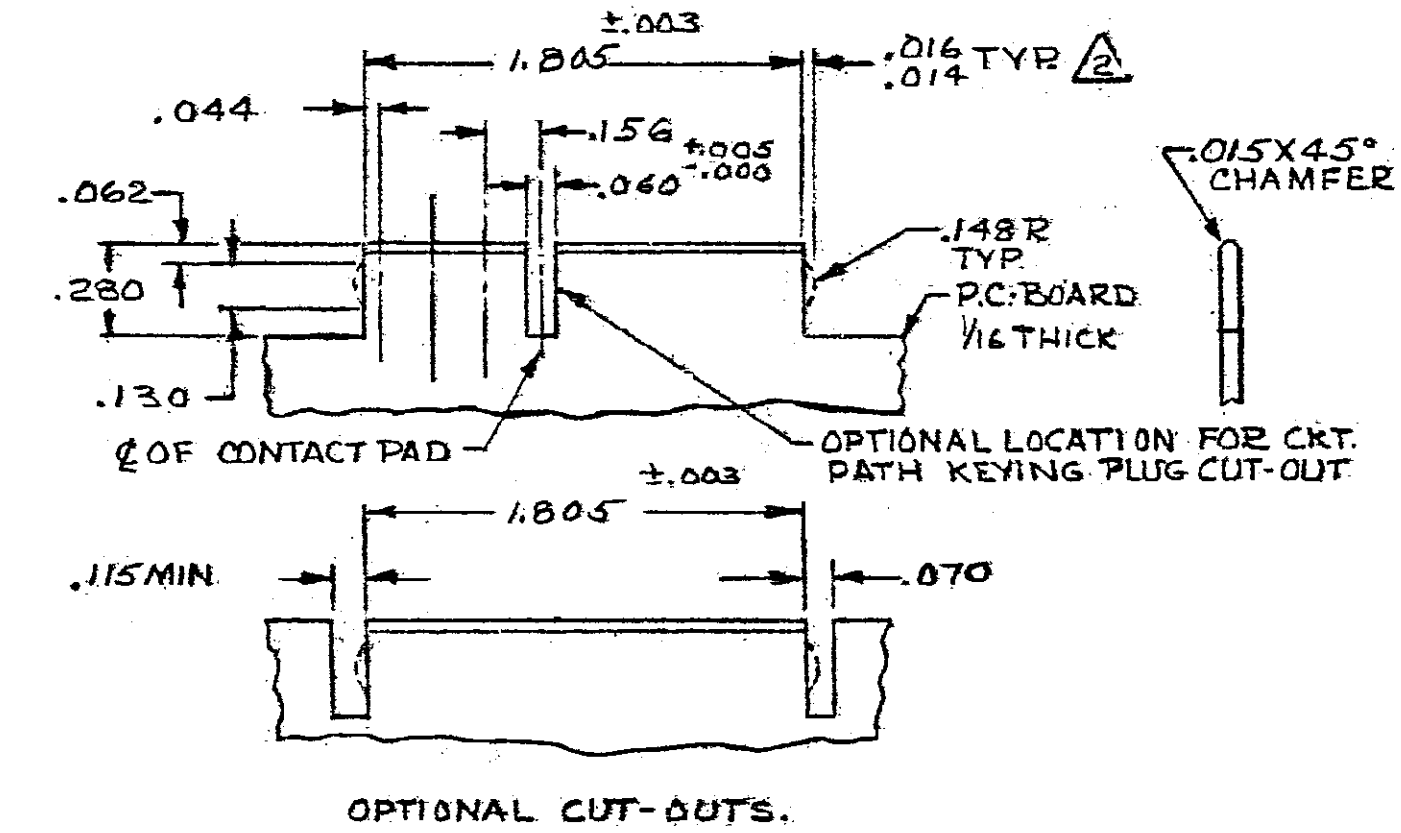
REVISIONS					
ZONE	LTR	DESCRIPTION	DATE	APPROVED	
	H1	REDRAWN WITHOUT CHANGE	3588 DR 2-3-72	DH	
	J	REVISED	3535 M.S. 6-8-72	DH	
	K	REV PER AD 1746		831-57 LB	
	L	OBS-1 PER ECN 0694-93		9-93	RAC
	M	REV PER 0010-1143-95		11-95	P.B.
	N	REV PER EC 0G3C-233-01		03OCT01	MM

PART N ^o	COLOR
582384-1	BROWN
582384-2	RED
582384-3	ORANGE
582384-4	YELLOW
582384-5	GREEN
582384-6	BLUE
582384-7	VIOLET
582384-8	GRAY
582384-9	NATURAL
582384-0	BLACK

OBSOLETE



PART N^o & DATE CODE MARKED OR MOLDED IN THIS AREA. DATE CODE (OPTIONAL)



- REFER TO 60215 & 583284 FOR TERMINAL.
- THE RETAINING DIMPLES ARE OPTIONAL IN BOTH CUT-OUTS.
- CARD SLOT AND MOUNTING HOLE DIMENSIONS TO BE CHECKED WITH HOUSING RESTRAINED. (AS MOUNTED)

UNLESS OTHERWISE SPECIFIED, DIMENSIONS ARE IN INCHES. TOLERANCES ON: DECIMALS ±.005 ANGLES ±	CONTRACT NO.	AMP INCORPORATED HARRISBURG, PENNSYLVANIA	
	DR <i>P. Rumble</i> 2-3-72	NAME: HOUSING, DUO-TYNE FLAG, WITH MOUNTING HOLES. 12 POSITION	
	CHK <i>J.S. Wade</i> 2-21-72	SIZE: C	CODE & DESIG. NO. 00779
	APP'D <i>Dr. Bushey</i> 2-22-72	NUMBER: 582384	SHEET 1 OF 1
MATERIAL: NYLON	REL <i>R. Sproun</i> 2-22-72	SCALE: 4-1	
OTHER APP'D			

CUSTOMER DRAWING

LOG 00

NUMBER 582384