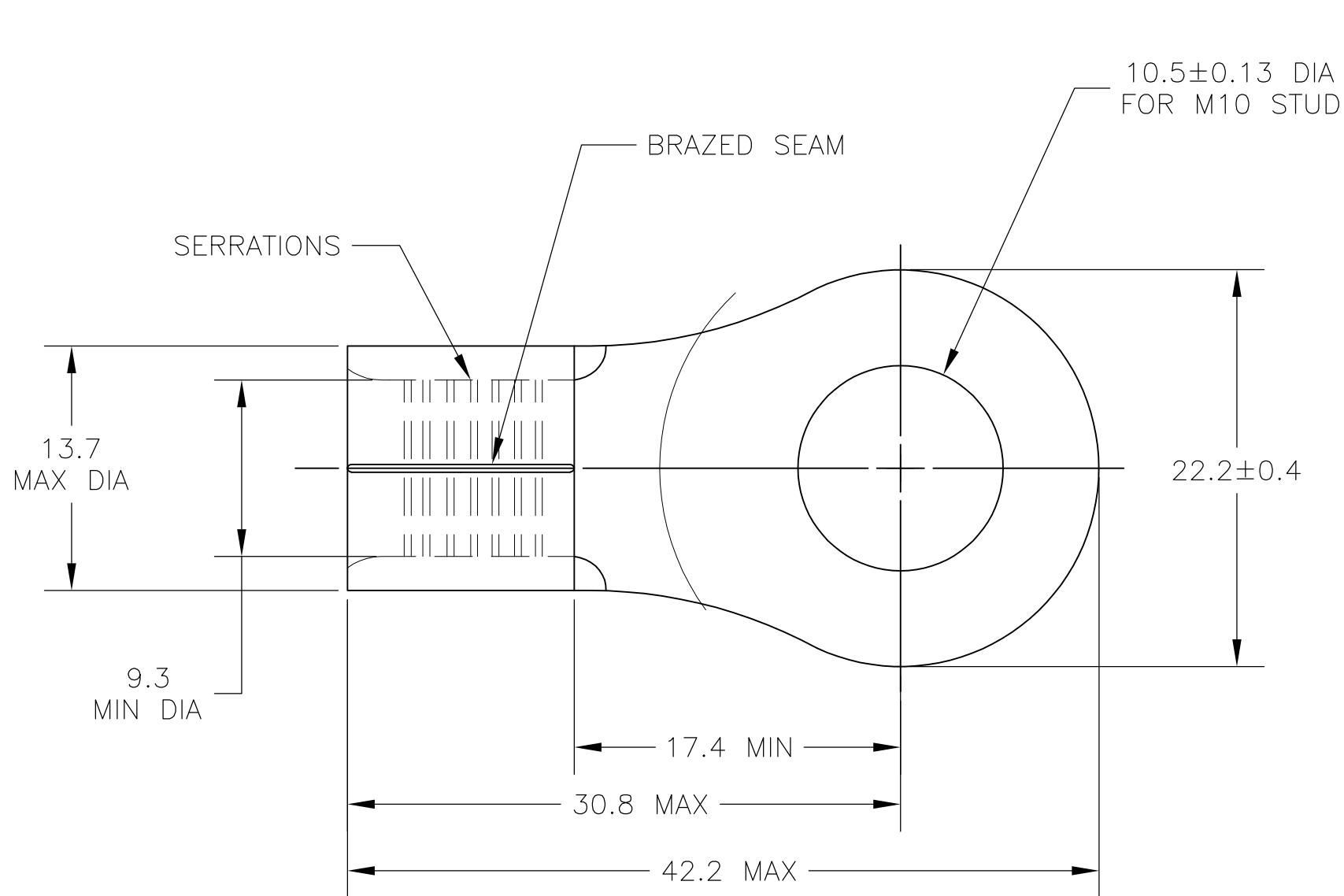


THIS DRAWING IS UNPUBLISHED. RELEASED FOR PUBLICATION
 © COPYRIGHT - BY TYCO ELECTRONICS CORPORATION. ALL RIGHTS RESERVED.

LOC	DIST	REVISIONS					
		P	LTR	DESCRIPTION	DATE	DWN	APVD
G	14		A1	REV PER ECR 07-026079	31OCT07	JR	TM



- 1 TONGUE THK IS 1.80±0.06
- 2 TIN PLATE PER ASTM B545 ANNEALED

2	160002
FINISH	PART NO

THIS DRAWING IS A CONTROLLED DOCUMENT.		DWN jr_ruth 02FEB06	Tyco Electronics Corporation Harrisburg, PA 17105-3608	
DIMENSIONS: INCHES		CHK MJ SPICER 02FEB06		
		APVD MJ SPICER 02FEB06	NAME TERMINAL, SOLISTRAND, RING TONGUE, WIRE SIZE : #2	
TOLERANCES UNLESS OTHERWISE SPECIFIED:		PRODUCT SPEC	RESTRICTED TO	
0 PLC ± - 1 PLC ± - 2 PLC ± - 3 PLC ± 0.20 4 PLC ± - ANGLES ± 5°		APPLICATION SPEC	SIZE A3	CAGE CODE 00779
MATERIAL COPPER ASTM B152		FINISH SEE TABLE	DRAWING NO G-160002	SCALE 3:1
		WEIGHT -	SHEET 1 OF 1	REV A1
		CUSTOMER DRAWING		