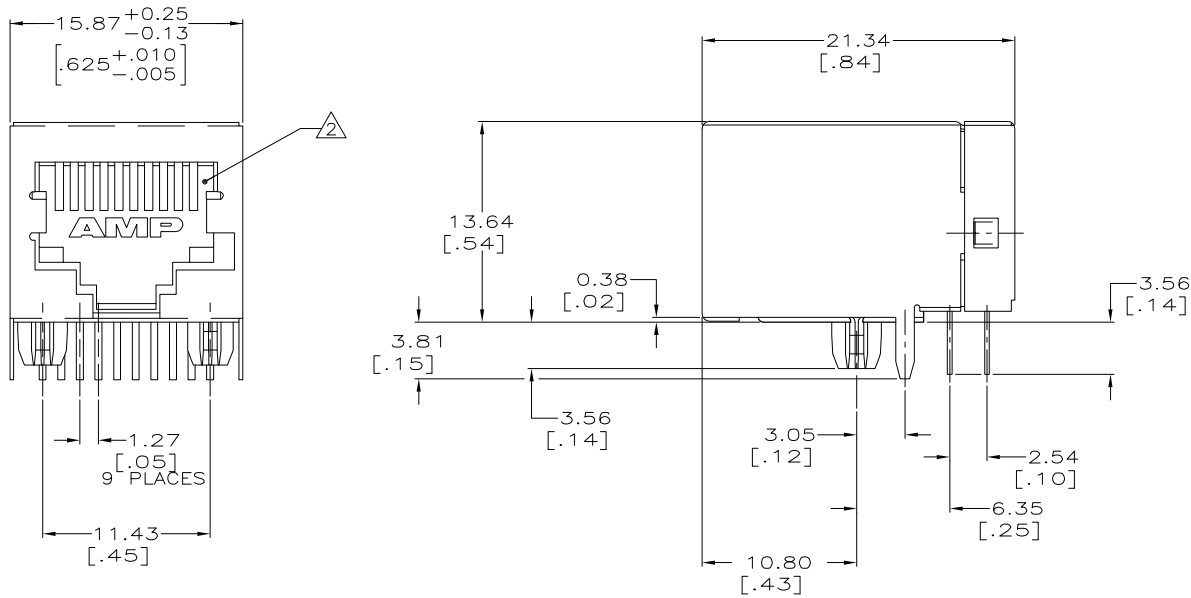
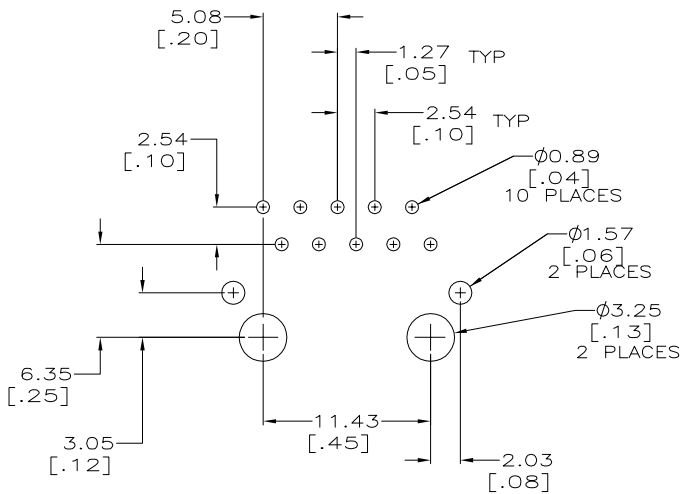


THIS DRAWING IS UNPUBLISHED. RELEASED FOR PUBLICATION
 © COPYRIGHT BY TYCO ELECTRONICS CORPORATION. ALL RIGHTS RESERVED.

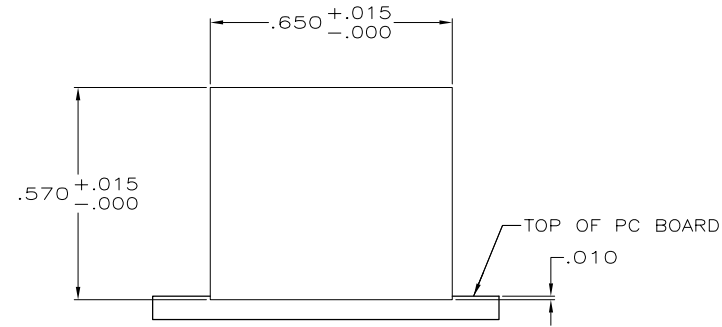
LOC	DIST	REVISIONS					
AA	22	P	LTR	DESCRIPTION	DATE	DWN	APVD
		B1		REV PER ECR-09-004284	16APR2009	TY	SY



- MATERIALS:**
 HOUSING - PCT POLYESTER, BLACK, IR REFLOW COMPATIBLE, UL 94V-0.
 TERMINALS 0.33 [.013] THICK PHOS BRONZE PLATED WITH 1.27μm [.000050] HARD GOLD IN LOCALIZED AREA AND 3.81μm [.000150] THICK MATTE TIN IN SOLDER AREA OVER 1.27μm [.000050] MINIMUM THICK NICKEL UNDERPLATE.
 SHIELD - 0.25 [.010] THICK COPPER ALLOY PLATED WITH 1.27μm [.000050] MINIMUM NICKEL AND 2.03 μm [.000080] MINIMUM HOT TIN DIP ON PCB GROUND TABS.
- JACK CAVITY CONFORMS TO FCC RULES AND REGULATIONS, PART 68 SUBPART F.
- DIMENSIONS ARE NOMINAL UNLESS OTHERWISE WISE SPECIFIED.



SUGGESTED PC BOARD LAYOUT
 VIEW SHOWN IS TOP (COMPONENT SIDE) OF PC BOARD



SUGGESTED PANEL CUTOUT

5558067-1
 PART NUMBER

THIS DRAWING IS A CONTROLLED DOCUMENT.		DWN: S. MAYBERRY / L.A. MAYER 01JUNE2005	Tyco Electronics Corporation Harrisburg, Pa 17105-3608	
DIMENSIONS: mm		CHK: J. WESTMAN 01JUNE2005	APVD: S. FLICKINGER 01JUNE2005	
TOLERANCES UNLESS OTHERWISE SPECIFIED:		NAME: S. FLICKINGER		
0 PLC ± -		PRODUCT SPEC: 108-1163		
1 PLC ± -		APPLICATION SPEC: 114-2048		
2 PLC ± 0.25[.01]		SIZE: A2		
3 PLC ± 0.13[.005]		CAGE CODE: 00779		
4 PLC ± -		DRAWING NO: C=5558067		
ANGLES ± -		RESTRICTED TO: -		
MATERIAL FINISH: SEE NOTE 1		WEIGHT: -		
SEE NOTE 1		CUSTOMER DRAWING		
		SCALE: 4:1		SHEET: 1 OF 1
		REV: B1		