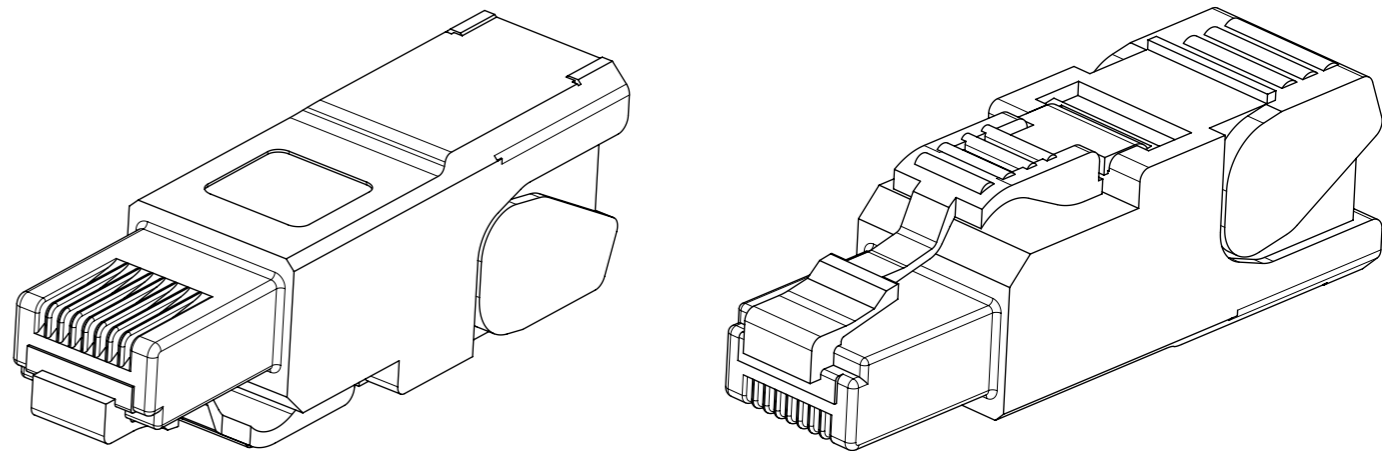


Technische Daten/TECHNICAL DATA		
Steckverbinder-Norm	IEC 60603-7-51	CONNECTOR STANDARD
Mechanische Eigenschaften		MECHANICAL CHARACTERISTICS
Steckkraft	< 30 N	INSERTION FORCE
Lebensdauer	> 750	LIFE
Kabelabzugskraft	min. 50 N	CABLE TO PLUG TENSILE STRENGTH
Werkstoffe		MATERIALS
Steckergehäuse	Zinkdruckguß vernickelt / ZINC DIECAST Ni PLATED	CONNECTING HOUSING
Kontaktgehäuse	PC UL 94 V0 glasklar / CRYSTAL CLEAR	CONTACT HOUSING
Adernvorsortierung	PC UL94 V0 weiss / WHITE	WIRE PRESORTING
Kabelabfangung	PBT UL94 V0 schwarz / BLACK	STRAIN RELIEF LEVER
Verriegelungshebel, Staubschutzkappe	PBT UL94 V0 schwarz / BLACK	HOOK, PROTECTION CAP
Leiterplatte	FR4 UL94 V0	PCB
Durchdring-Kontakte	Phosphor Bronze, min. 3...6 µm Sn	PIERCING CONTACTS
Schirmkontoakt	Messing / BRASS 2,5µm N1	SHIELD CONTACT
Kontakte	Federstahl / SPRING STEEL 0,8 µm Au; 1,2 µm Ni	CONTACTS
Richtlinie 2011/65/EU (RoHS)	RoHS-komnform / RoHS-COMPLIANT	DIRECTIVE 2001/65/EU (RoHS)
Adernanschluss		WIRE CONNECTION
Cu-Leiterdurchmesser	Massiv / SOLID 0,51 - 0,64 mm AWG24 - AWG 22/1 Litze / STRANDED 0,46 - 0,76 mm AWG27 - AWG22/7 *Litze / STRANDED 0,61 - 0,78 mm AWG24-AWG22/19	Cu-CONDUCTOR DIAMETER
Aderndurchmesser	1,0 - 1,6 mm	CORE DIAMETER
Kabeldurchmesser	5,0 - 9,0 mm	CABLE DIAMETER

Anschluss / CONNECTION		Anwendung / APPLICATION					
Farbcode / COLOUR OF CODE T568		Profinet	RJ45 PIN Nr./NO.	10 BT / 100 BT	1 Gigabit/ 10 Gigabit Ethernet	Token Ring ISDN/So	Upo / TEL
A	B						
W - G	W - O	YE	1	•	•		
G	O	OG	2	•	•		
W - O	W - G	WH	3	•	•	•	
BL	BL	-	4		•	•	•
W - BL	W - BL	-	5		•	•	•
O	G	BU	6	•	•	•	
W - BR	W - BR	-	7		•		
BR	BR	-	8		•		



ENG.-NO: E6AS06-5

THIS DRAWING CONTAINS INFORMATION THAT IS PROPRIETARY TO MOLEX INCORPORATED AND SHOULD NOT BE USED WITHOUT WRITTEN PERMISSION

QUALITY SYMBOLS ▽ = 0 ▽ = 0 ▽ = 0 ▽ = 0 ▽ = 0 ▽ = 0 ▽ = 0 ▽ = 0 ▽ = 0	EC DESCRIPTION EC NO: 104097 DRWN: KGRUEDL CHK'D: APPR: CBRUNS	2015/11/25 2016/04/07	GENERAL TOLERANCES (UNLESS SPECIFIED) ANGULAR TOL ± 1.0 ° 4 PLACES ± 3 PLACES ± 2 PLACES ± 0.05 1 PLACE ± 0.3 0 PLACES ± 0.5		DIMENSION UNITS MM	SCALE 2:1			
			DRAFT WHERE APPLICABLE MUST REMAIN WITHIN DIMENSIONS		DRWN BY KGRUEDL	DATE 2015/11/25		FA RJ45 CAT6A 8P MA STR SHLD IPC AWG22	
					CHK'D BY CBRUNS	DATE 2016/04/07			PRODUCT CUSTOMER DRAWING
					APPR BY CBRUNS	DATE 2016/04/07			
		A3	DRAWING SIZE A3	THIRD ANGLE PROJECTION	DOCUMENT NUMBER 1300478008	DOC TYPE PSD	DOC PART 000	SHEET NUMBER 1 OF 2	

Technische Daten/TECHNICAL DATA		
Umweltanforderungen		EINVIROMENTAL REQUIREMENTS
Schutz vor Eindringen		PROTECTION AGAINST INGRESS
Eindringen von Teilchen / Wasser / Untertauchen	IP20	PARTICULATE INGRESS/ WATER/IMMERSION
Klimatisch und chemisch		CLIMATICAL AND CHEMICAL
Umgebungstemperatur	-40°C bis / TO +85°C	AMBIENT TEMPERATURE
Elektrische Eigenschaften		ELECTRICAL CHARACTERISTICS
Kontaktwiderstand	≤ 20 mΩ	CONTACT RESISTANCE
Isolationswiderstand	≥ 500MΩ	INSULATION RESISTANCE
Spannungsfestigkeit		VOLTAGE PROOF
Kontakt-Kontakt	≥ 1000 V, DC	CONTACT-CONTACT
Kontakt-Schirm	≥ 1500 V, DC	CONTACT-SHIELD
Strombelastbarkeit bei 50°C	1 A	CURRENT CARRYING CAPACITY AT 50°C
PoE+ gemäß IEEE 802.3at	Geeignet für Power of Ethernet+ ADEQUATE FOR POWER OVER ETHERNET+	POE+ ACCORDING TO IEEE 802.3AT
Übertragungstechnische Eigenschaften**		TRANSMISSION PERFORMANCE **
10 Gigabit Ethernet gemäß IEEE 802.3an	Geeignet für 10 Gigabit Ethernet ADEQUATE FOR 10 GIGABIT ETHERNET	10 GIGABIT ETHERNET ACC. TO IEEE 802.3AN
Kategorie 6A	ISO/IEC 11801; DIN EN 50173 - 1	CATEGORY 6A
Klasse EA	ISO/IEC 11801; DIN EN 50173 - 1	CLASS 6A
Kategorie 6A	ANSI/ITA/EIA-568-C.2	CATEGORY 6A
Normen		STANDARDS
IP-Schutzarten	IEC 60529	DEGREES OF PROTECTION PROVIDED BY ENCLOSURES (IP CODE)
Anwendungsneutrale Kommunikationsanlagen	ANSI/TIA/EIA-568-C.2;ISO/IEC 11801; DIN EN 50173-1	GENERIC CABLE SYSTEMS
Zulassung		APPROVAL
UL-gelistet	E244889	UL LISTED

TABLE 1

MATERIAL NO. / Material Nr.	DESCRIPTION / Bezeichnung	AWG / Litzenquerschnitt
1300478008	FA RJ45 CAT6A 8P MA STR SHLD IPC AWG22	AWG24 - AWG22/1 / AWG27 - AWG22/7
1300478010	FA RJ45 CAT6A 8P MA STR SHLD IPC AWG26	AWG26 - AWG24/1 / AWG27 - AWG24/7

THIS DRAWING CONTAINS INFORMATION THAT IS PROPRIETARY TO MOLEX INCORPORATED AND SHOULD NOT BE USED WITHOUT WRITTEN PERMISSION													
QUALITY SYMBOLS 	EC DESCRIPTION EC NO: 104097 DRWN: KGRUEDL CHK'D: APPR: CBRUNS	2015/11/25 2016/04/07	GENERAL TOLERANCES (UNLESS SPECIFIED)		DIMENSION UNITS	SCALE	 FA RJ45 CAT6A 8P MA STR SHLD IPC AWG22						
			ANGULAR TOL ± 1.0 °		MM	1:1							
			4 PLACES ±	3 PLACES ±	DRWN BY	DATE							
			2 PLACES ± 0.05	1 PLACE ± 0.3	KGRUEDL	2015/11/25							
			0 PLACES ± 0.5	0 PLACES ± 0.5	CHK'D BY	DATE	PRODUCT CUSTOMER DRAWING						
			DRAFT WHERE APPLICABLE MUST REMAIN WITHIN DIMENSIONS		APPR BY	DATE	SERIES	MATERIAL NUMBER	CUSTOMER				
					CBRUNS	2016/04/07	130047	SEE TABLE 1					
					DRAWING SIZE	THIRD ANGLE PROJECTION	DOCUMENT NUMBER		DOC TYPE	DOC PART	SHEET NUMBER		
					A3		1300478008		PSD	000	2 OF 2		