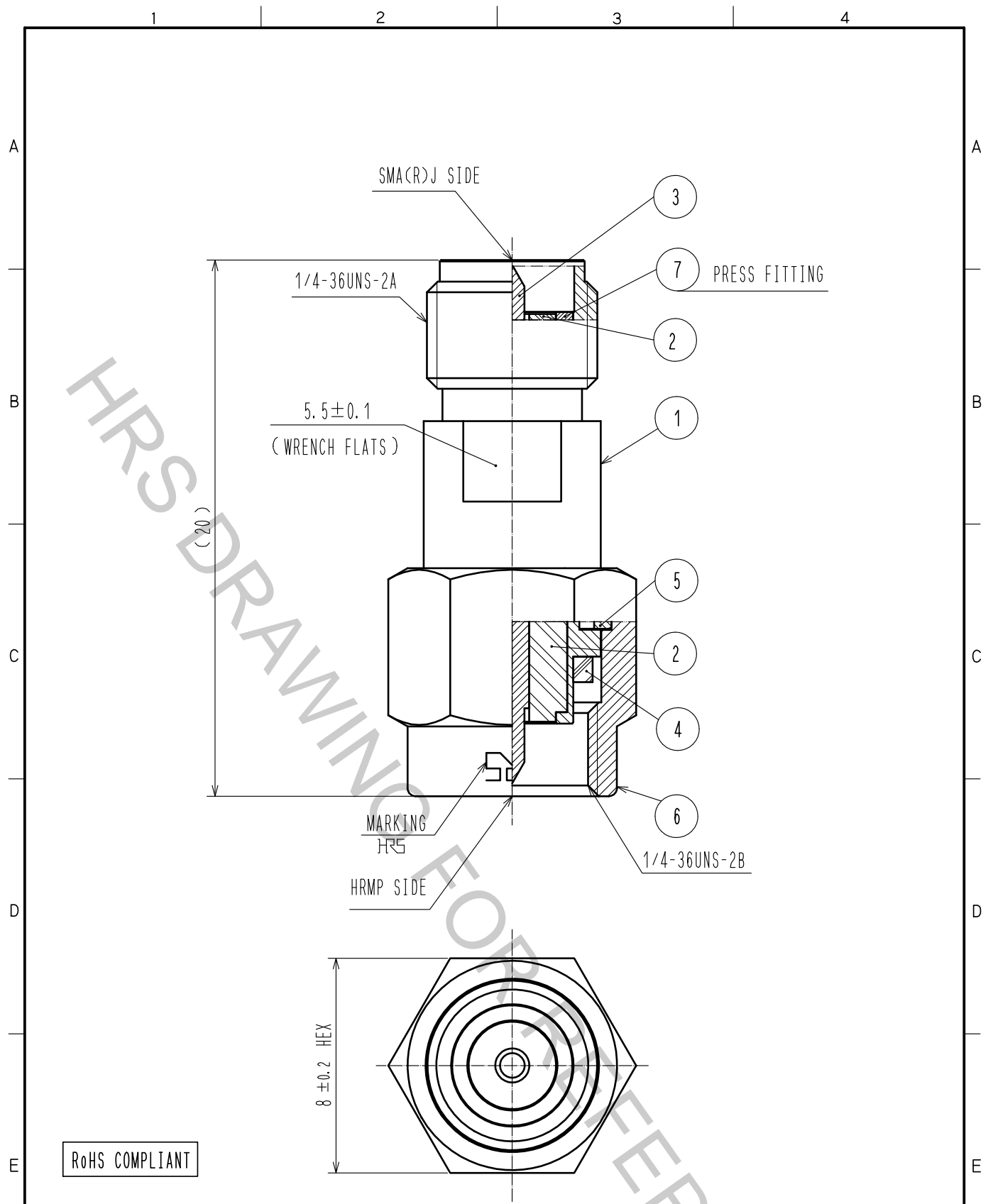


Aug.1.2018 Copyright 2018 HIROSE ELECTRIC CO., LTD. All Rights Reserved.  
 In case that the application demands a high level of reliability, such as automotive,  
 please contact a company representative for further information.



4	SILICON RUBBER						
3	BRASS	GOLD PLATING	7	STAINLESS STEEL	PASSIVATED		
2	PTFE		6	STAINLESS STEEL	PASSIVATED		
1	STAINLESS STEEL	PASSIVATED	5	BERYLLIUM COPPER	NICKEL PLATING		
NO.	MATERIAL	FINISH .	REMARKS	NO.	MATERIAL	FINISH .	REMARKS

UNITS mm		SCALE 5 : 1	COUNT 	DESCRIPTION OF REVISIONS	DESIGNED	CHECKED	DATE
-------------	--	----------------	-----------	--------------------------	----------	---------	------

HIROSE ELECTRIC CO., LTD.	APPROVED : KY. SHIMIZU	16. 07. 08	DRAWING NO.	EDC-366798-00-00
	CHECKED : KY. SHIMIZU	16. 07. 08	PART NO.	HRMP-SMA(R)J
	DESIGNED : MH. OGUSU	16. 07. 08	CODE NO.	CL323-0036-0-00
	DRAWN : MH. OGUSU	16. 07. 08		