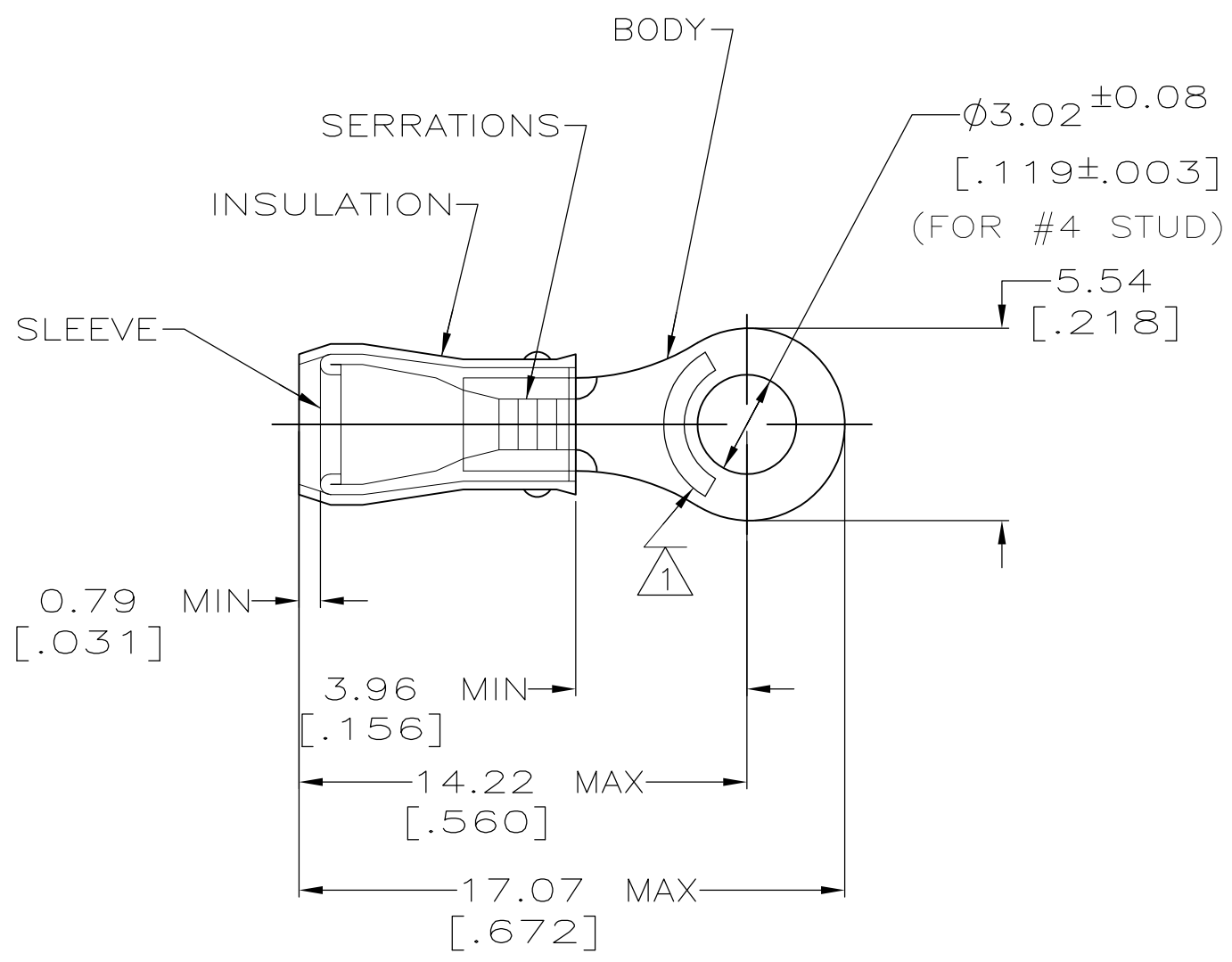


THIS DRAWING IS UNPUBLISHED. RELEASED FOR PUBLICATION
 © COPYRIGHT - By - ALL RIGHTS RESERVED.

LOC	DIST	REVISIONS					
		P	LTR	DESCRIPTION	DATE	DWN	APVD
G	14		J1	REVISED PER ECO-11-004820	11MAR11	RK	HMR



AMP WIRE RANGE	E13288	LR7189 Certified
22-16 AWG SOLID OR STRANDED	22-16 AWG SOLID OR STRANDED	22-16 AWG SOLID OR STRANDED

- 1 STAMP AMP 22-18* APPROX AS SHOWN
22-16 TERMINALS ARE STAMPED 22-18 IN
ACCORDANCE WITH MILITARY SPEC MIL-T-7928
COMMERCIAL WIRE RANGE IS 22-16
- 2 WIRE INSUL DIA, 2.03-3.18 [.080-.125]
- 3 TONGUE MATERIAL THK, 0.79±0.05
[.031±.002]

MILITARY P/N & CLASS	QTY	PACKAGE TYPE	PART NO
MS25036-148 CLASS 2	5000	ON TAPE, REEL	2-320553-2
MS25036-148 CLASS 1&2	1000	LOOSE PIECE	320553
---	100	LOOSE PIECE, BOX	8-320553-1

**AMP INCORPORATED
CUSTOMER SERVICE SYSTEM**

FOR ADDITIONAL PRODUCT INFORMATION OR COPIES OF DRAWINGS AND TECHNICAL DOCUMENTS
 PRODUCT INFORMATION CENTER
 1-800-522-6752

FOR APPLICATION TOOLING INFORMATION
 TOOLING ASSISTANCE CENTER
 1-800-722-1111

FOR ORDER ENTRY
 1-800-526-5142

MAX RECOMMENDED OPERATING TEMPERATURE:
 105° C [221 F]

VOLTAGE RATING:
 300 V MAX

CIRCULAR MIL AREA:
 0.26mm²-1.65mm² [509-3260]

THIS DRAWING IS A CONTROLLED DOCUMENT.

DIMENSIONS: mm [INCHES]

TOLERANCES UNLESS OTHERWISE SPECIFIED:

0 PLC	± -
1 PLC	± -
2 PLC	± 0.20[.008]
3 PLC	± -
4 PLC	± -
ANGLES	± -

MATERIAL: BODY,SLV,COPPER PER ASTM B 150 BODY & SLV,TIN PLATE PER MIL-T-10727

DWN M ELLIS 24MAY95
 CHK C PRESNELL 24MAY95
 APVD N BIRCH 24MAY95

STE TE Connectivity

NAME: TERMINAL, RING TONGUE, PIDG TM

PRODUCT SPEC: MIL-T-7928 & UL 486A

APPLICATION SPEC: -

SIZE: A3 CAGE CODE: 00779 DRAWING NO: C-320553 RESTRICTED TO: -

WEIGHT: -

CUSTOMER DRAWING SCALE: 4:1 SHEET: 1 OF 1 REV: J1