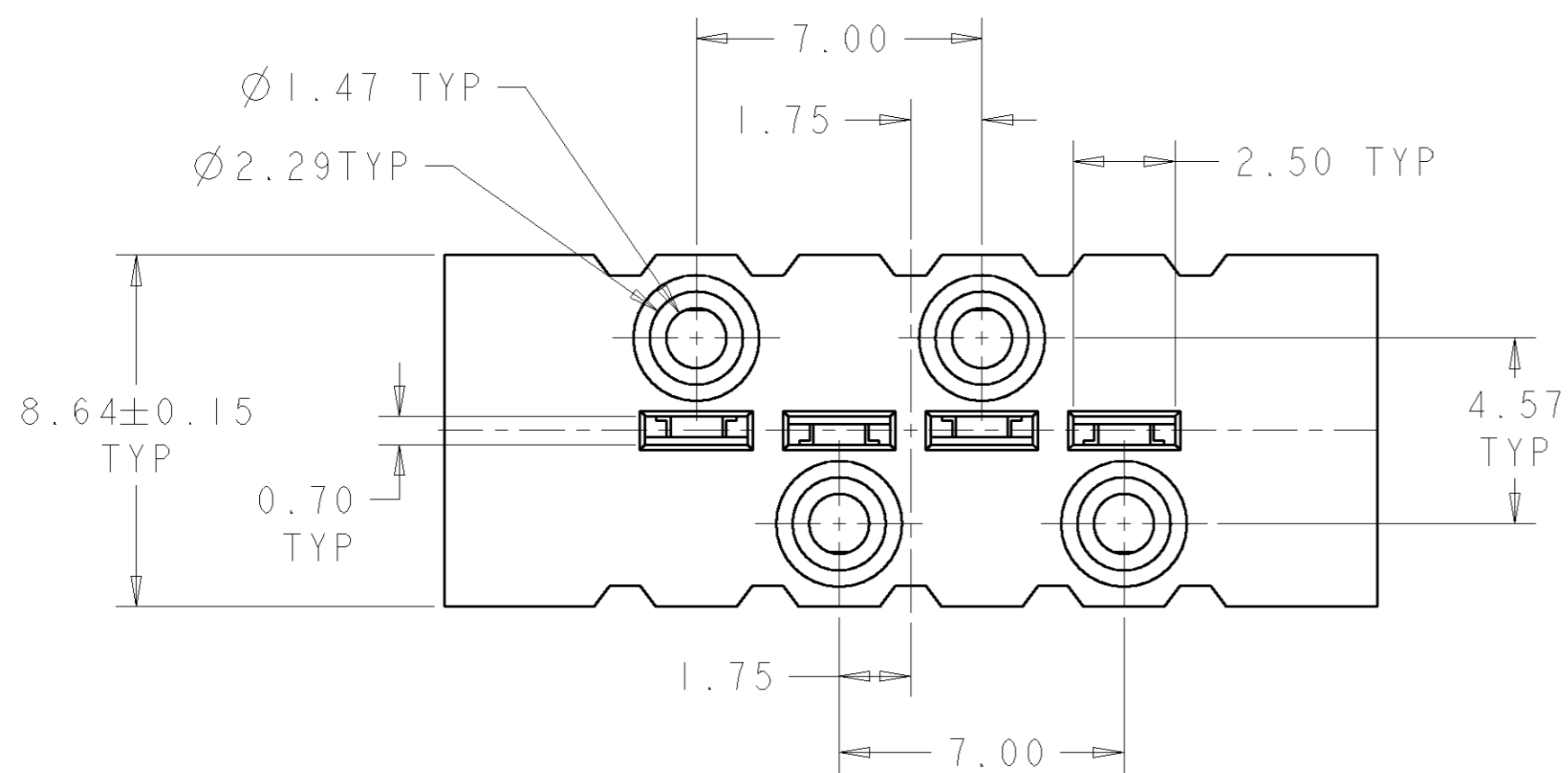
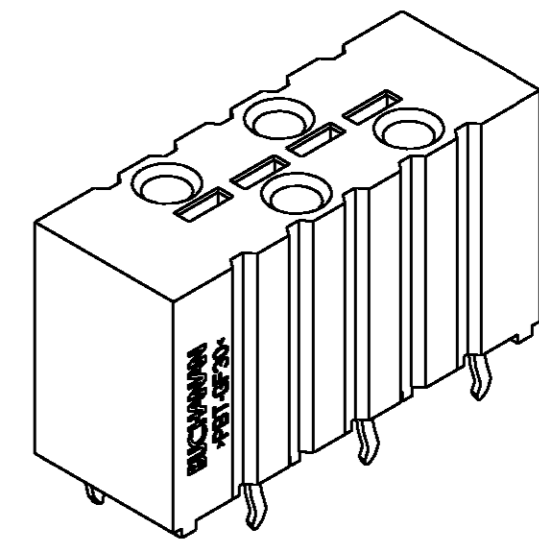


THIS DRAWING IS UNPUBLISHED. RELEASED FOR PUBLICATION 20
 © COPYRIGHT 20 BY TYCO ELECTRONICS CORPORATION. ALL RIGHTS RESERVED.

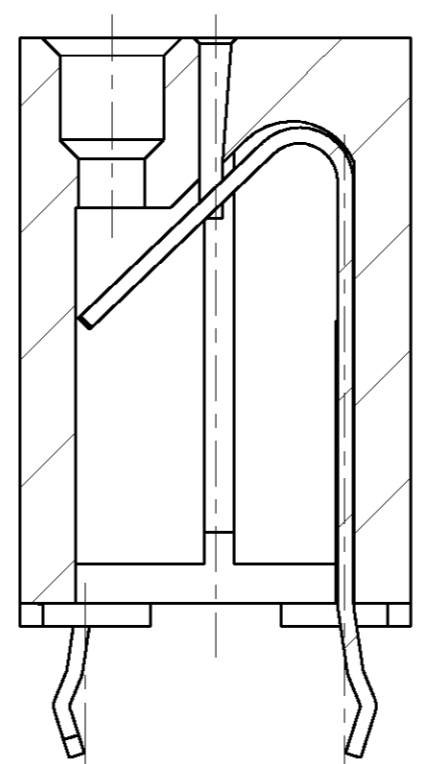
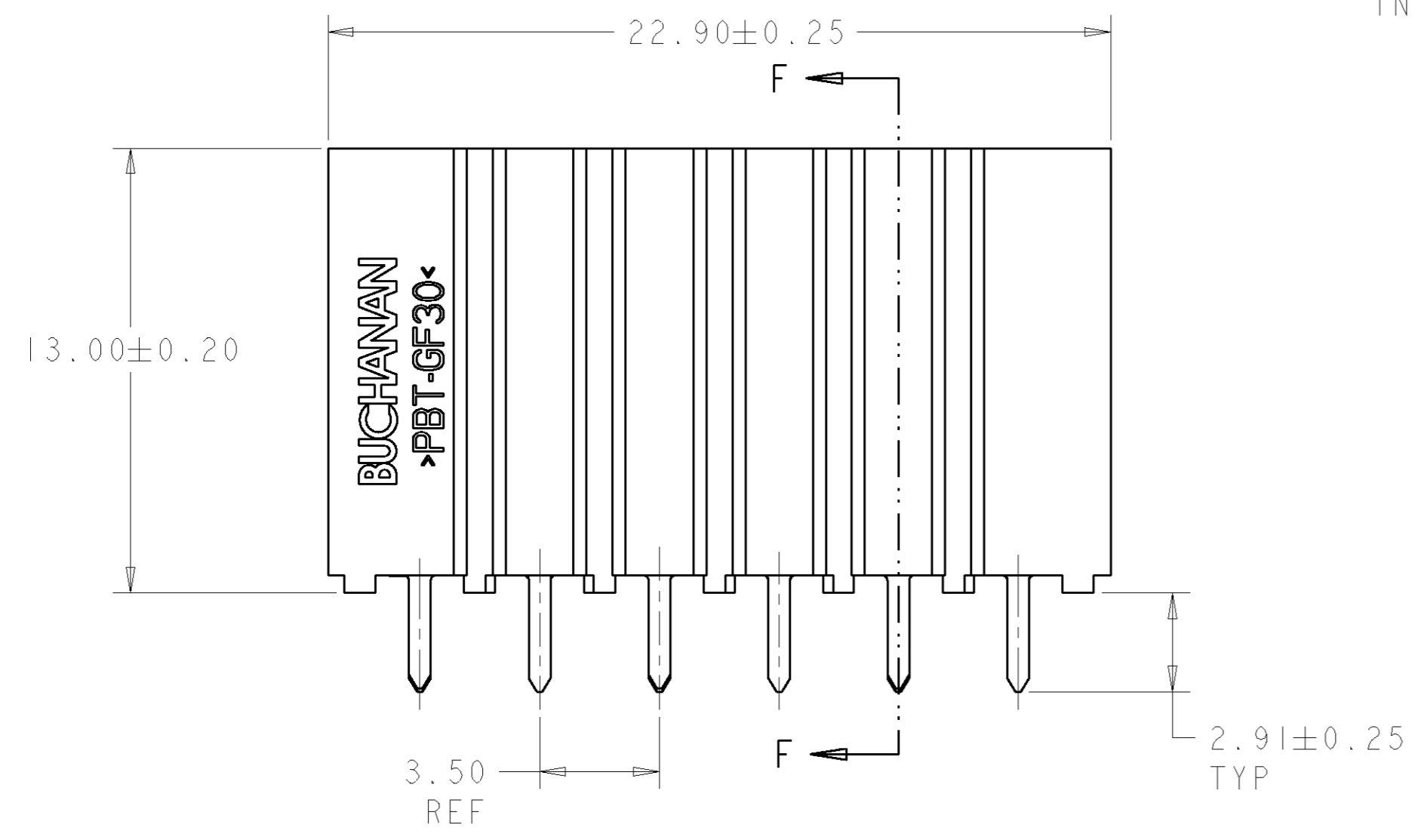
LOC	DIST	REVISIONS					
FT	0	P	LTR	DESCRIPTION	DATE	DWN	APVD
		A		RELEASED	13SEP2005	-	CR



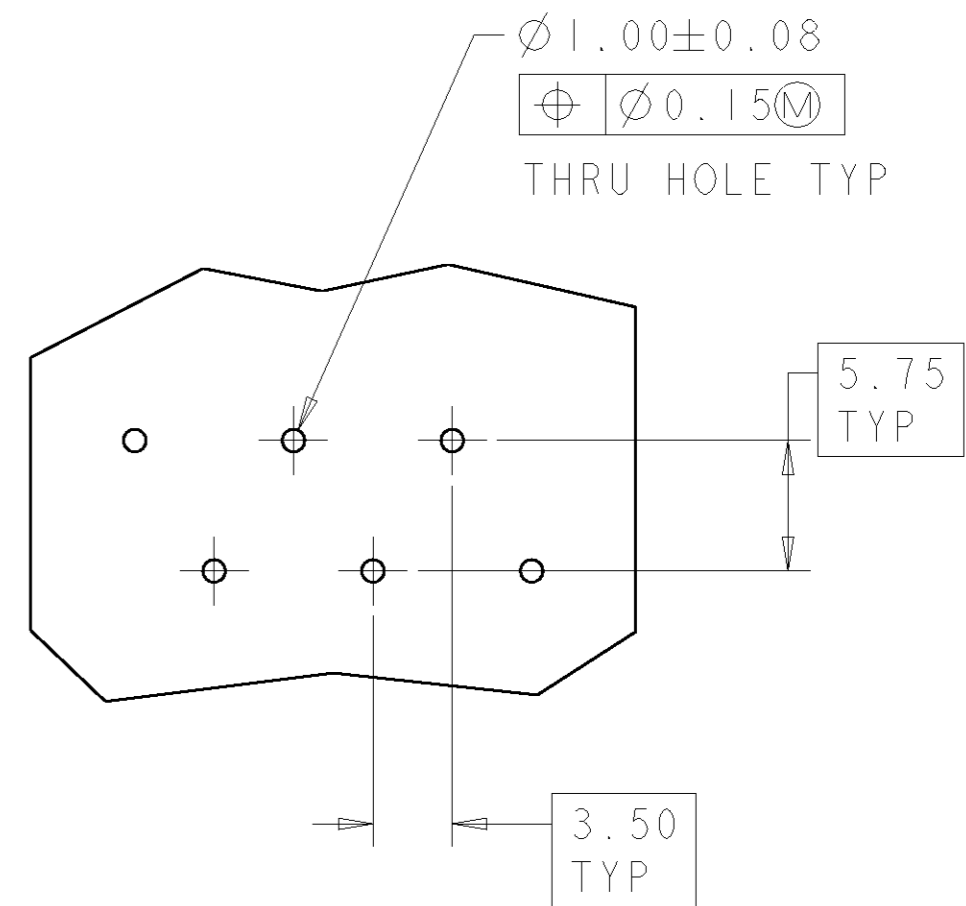
- 1 MATERIAL: HOUSING: PTB, UL94-V0, COLOR NATURAL. CONTACTS: PHOSPHOR BRONZE.
- 2 PLATING: CONTACTS: PRE TIN, 2.5µm MIN OVER 0.76µm MIN NICKEL (CONTACT EDGES WILL BE UNPLATED)
- 3. WIRE SIZE: 18AWG SOLID CONDUCTOR Ø2.16mm MAXIMUM INSULATION. STRIP LENGTH = 9.53±1.00.
- 4. WHEN WIRE INSULATION STRIP LENGTH IS 9.53mm, CONDUCTOR TIP WILL BE 1.08mm NOMINAL FROM BOARD SURFACE WHEN INSULATION BOTTOMS IN HOUSING CAVITY.



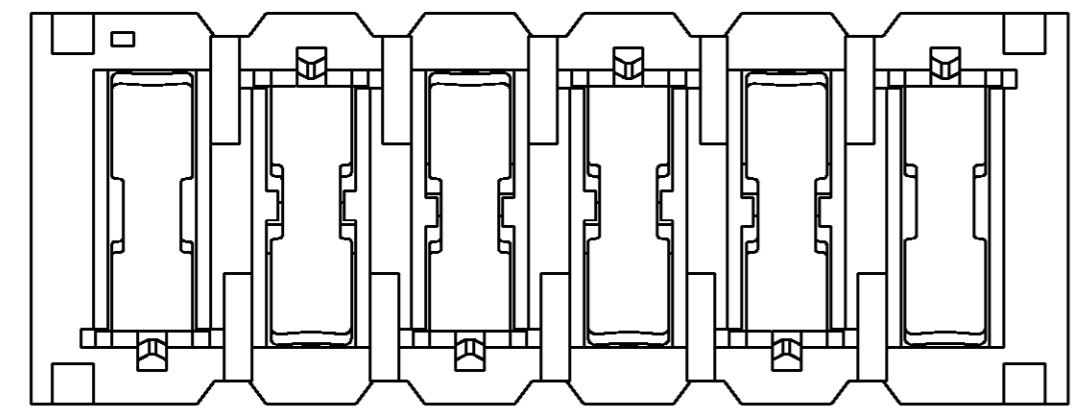
SCALE 3:1



SECTION F-F



PCB LAYOUT
 VIEWED FROM CONNECTOR MOUNTING SIDE
 SCALE 3:1



1811444-1
 PART NO

<small>THIS DRAWING IS A CONTROLLED DOCUMENT FOR TYCO ELECTRONICS CORPORATION. IT IS SUBJECT TO CHANGE AND THE CONTROLLING ENGINEERING ORGANIZATION SHOULD BE CONTACTED FOR THE LATEST REVISION.</small>		DWN: W.G. LENKER 21OCT2004 CHK: J. LANDIS 21OCT2004 APVD: C. RICHARD 13SEP2005	BUCHANAN Tyco Electronics Harrisburg, PA 17105-3608
DIMENSIONS: mm TOLERANCES UNLESS OTHERWISE SPECIFIED: 0 PLC ± 1 PLC ± 2 PLC ±0.13 3 PLC ± 4 PLC ± ANGLES ± FINISH	PRODUCT SPEC: 108-2059 APPLICATION SPEC: 114-13075 WEIGHT: -	NAME: ASSEMBLY, WIRE CONNECTOR, SCREWLESS, VERTICAL, 6 POSITION, 4 ACTIVE SIZE: A2 CAGE CODE: 00779 DRAWING NO: 1811444	RESTRICTED TO: - SCALE: 6:1 SHEET 1 OF 1 REV A
MATERIAL: 1		CUSTOMER DRAWING	