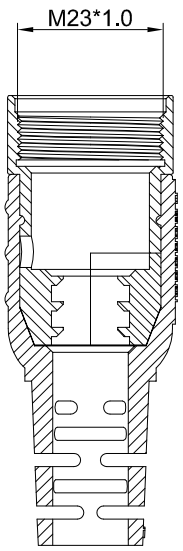
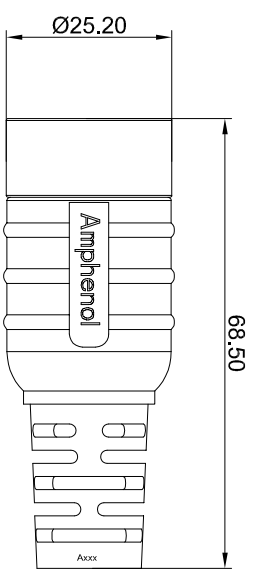
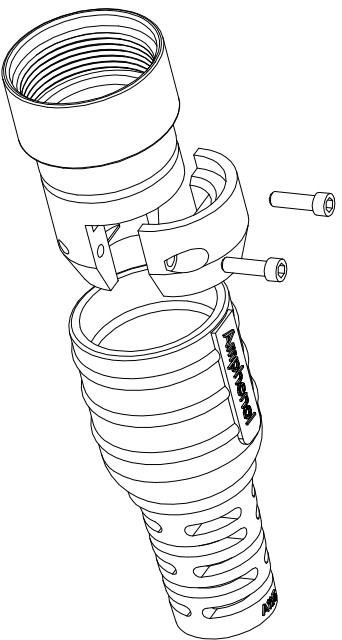


REVISONS					
REV	ECO	DESCRIPTION	DATE	BY	APPR
B1	-	RELEASE NEW DWG FORMAT	Jun.16.2014	Tod	Tommy
B2	-	UPDATE THE PART NUMBER	Jun.27.2015	Drack	Tommy



- NOTES: UNLESS OTHERWISE SPECIFIED
- MATERIAL:
BODY: ZINC DIE CAST, NICKEL PLATED
BOOT: TPE(BLACK)
 - SPECIFICATIONS:
2.1 DEGREE OF PROTECTION: IP67 (MATED CONDITION)
MUST BE POTTED TO ACHIEVE IP67 RATING
2.2 RoHS COMPLIANT
 - ALL DIMENSIONS ARE FOR REFERENCE USE ONLY.

ITEM	DESCRIPTION	QTY	UNIT
1	MA4FSR-A8.5	7.5-8.5 mm	Cable OD Range
2	MA4FSR-A10.5	9.5-10.5 mm	
3	MA4FSR-A12.8	11.5-12.8 mm	

QUANTITY	SEE PART NUMBER CHART	PART NUMBER	DESCRIPTION	ITEM
MATERIALS LIST				

SIGNATURES	DATE	DESCRIPTION
DRAWN: Drack	Jun.27.2015	<h1>Ampheno!</h1> <p>Sine Systems - www.amphenol-sine.com 44724 Morley Drive Clifton Township, MI 48036</p>
CHECKED:		
ENGINEER:		
APPROVAL:		

UNLESS OTHERWISE SPECIFIED	PROCESS SPECIFICATIONS:	THIS DRAWING IS SUPPLIED FOR
1) All dimensions are in millimeters. 2) Tolerances are as follows: 1. R1, DEC 20.30 Fractions ±1/64 2. R1, DEC 20.30 Angles ±1° 3. R1, DEC 20.08	MATERIAL SPECIFICATIONS: 	INFORMATION ONLY. THIS DRAWING IS NOT TO BE USED FOR REPRODUCTION OR REPRODUCTION OF DIMENSIONS ARE SUBJECT TO NORMAL MANUFACTURING VARIATIONS.
3) Note reference =	CUSTOMER:	SIZE: B TYPE: C- DWG NO: MA4FSR-Axxx SCALE: NONE
TICK ASST:		SHEET 1 OF 1