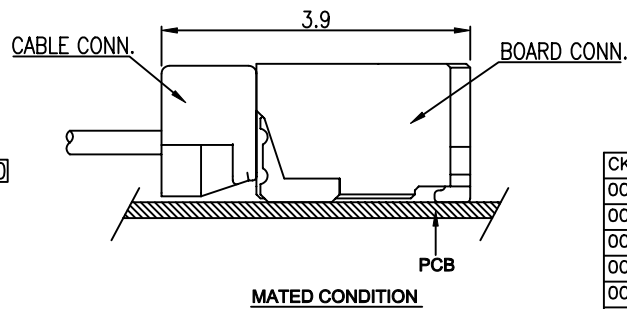
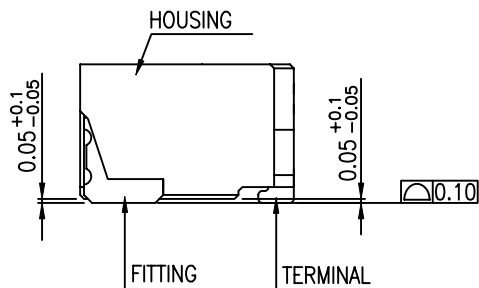
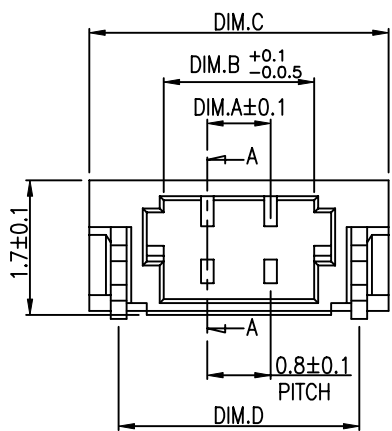


NOTES:

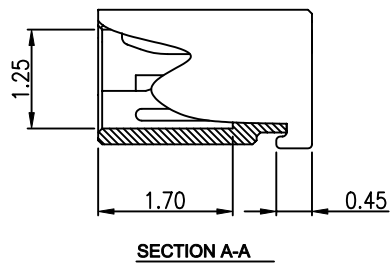
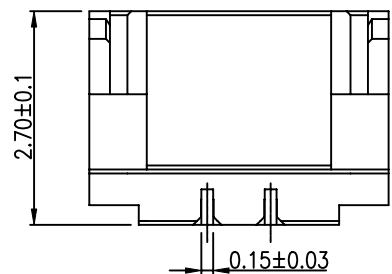
1. MATERIAL:
  - HOUSING: HALOGEN FREE HIGH TEMPERATURE THERMOPLASTIC, UL94V-0.
  - TERMINAL: COPPER ALLOY.
  - FITTING NAIL: COPPER ALLOY.
2. FINISH:
  - UNDER PLATING: 30~60u" NICKEL OVERALL.
  - CONTACT AREA, SOLDER TAIL AND FITTING NAIL: SELECTIVE GOLD PLATED OVERALL(SEE P/N DESCRIPTION).
3. REFLOW SOLDER CAPABLE TO 260°C PEAK TEMP. FOR 10 SECONDS MAX.
4. SPEC. PLS. REFER TO GS-12-0929.
5. PACKAGE PLS. REFER TO GS-14-2102.
6. PART NUMBER DESCRIPTION:
  - 10116780-XXX X X X LF
  - NO OF CONTACTS(CKT) ——— X ——— X ——— X ——— LF
  - PACKING ——— X ——— X ——— X ——— LF
  - 0: TAPE & REEL
  - 0: BLACK
  - PLATING
  - 1: 1u" MIN. GOLD FLASH OVERALL (TERMINAL AND FITTING NAIL)



ORDERING INFORMATION FOR USER REFERENCE

NAME	PART NO.
BOARD CONN.	10116780-XXXXXXLF
CABLE CONN.	10116781-XXXXXXLF

CKT	Dim.A	Dim.B	Dim.C	Dim.D	CKT	Dim.A	Dim.B	Dim.C	Dim.D
002	0.80	1.90	3.78	3.04	010	7.20	8.30	10.18	9.44
003	1.60	2.70	4.58	3.84	011	8.00	9.10	10.98	10.24
004	2.40	3.50	5.38	4.64	012	8.80	9.90	11.78	11.04
005	3.20	4.30	6.18	5.44	014	10.40	11.50	13.38	12.64
006	4.00	5.10	6.98	6.24	015	11.20	12.30	14.18	13.44
007	4.80	5.90	7.78	7.04	016	12.00	13.10	14.98	14.24
008	5.60	6.70	8.58	7.84	018	13.60	14.70	16.58	15.84
009	6.40	7.50	9.38	8.64					



mat'l. code		surface ASME Y14.5		tolerance ASME Y14.5		projection		product family	
ltr		ecn no dr		date		angles		title	
A		WL		05/11/11		.X ± 0.25		0.8mm WIRE TO BOARD	
B		T-004781 WL		08/03/11		.XX ± 0.15		SMT R/A TYPE	
						.XXX ± 0.10		dwg no	
				dr WENDY CHEN		03/11/11		sheet 1 of 1	
				enrg WENDY CHEN		03/11/11		size	
				chr WENDY CHEN		03/11/11		10116780	
				appd GARY HSIEH		03/11/11		A4	
sheet index		revision sheet		B				type	
1		1						CUSTOMER Drawing	